

Model SIG(HP)

Explosion Proof Pressure Transmitter

Description

SIG(HP) model, has Explosion Proof(Ex d IIC T6) and water-proof(IP67) is idle for a danger area and at the place is required to be waterproofed.

Features

- ▶ Explosion proof approval to Ex d IIC T6, IP67
- ▶ Built-in amplifier circuit(VDC, mA)
- ▶ Measuring range -0.1~250MPa
- ▶ 0.035%FS accuracy

Applications

- ▶ Process control & monitoring
- ▶ Hydraulics & Pneumatic
- ▶ Chemical & Petrochemical
- ▶ Liquid level measurement
- ▶ Food & Pharmaceutical
- ▶ Gas transmission pipe-line
- ▶ Plant utilities monitoring



Specifications

Range

0~100kPa...250MPa(Gauge)
-100kPa~0...250MPa(Gauge)
0~100kPa...70MPa(Absolute)

Performance

Accuracy $\pm 0.035\%FS$
Thermal Effect on Zero $\pm 0.025\%FS$
Thermal Effect on Span $\pm 0.025\%FS$
Ambient Temperature Range $-20\sim 60^{\circ}C$
Process Temperature Range $-40\sim 120^{\circ}C$

Electrical

Excitation 11~28VDC
Output 4~20mA(3Wire), 0~5V, 1~5V, 0~10V
Electrical Connection G(PF) 1/2"

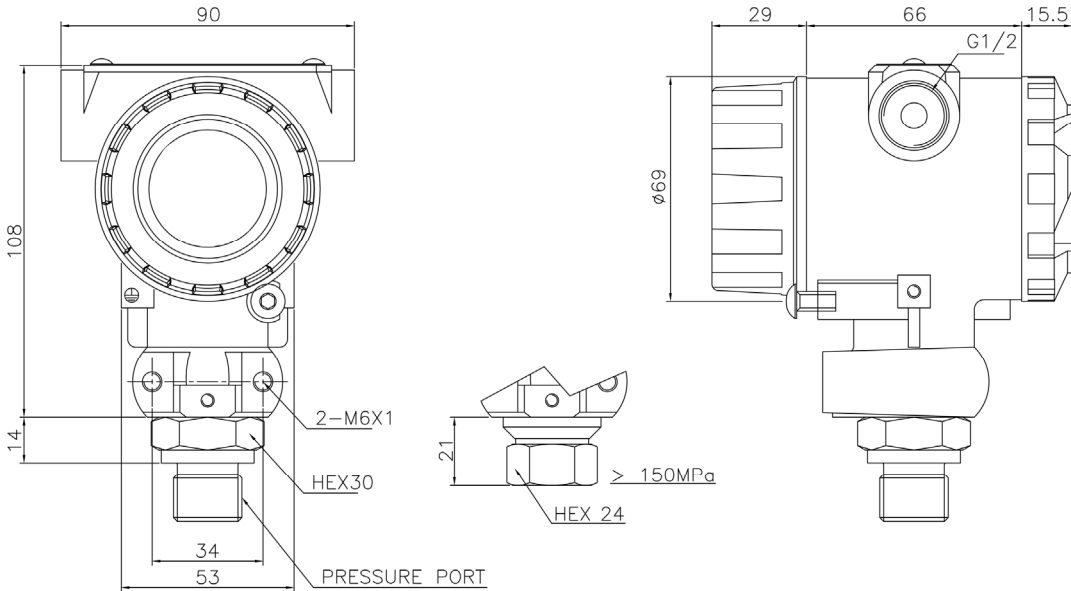
Physical

Proof Pressure -0.1~70MPa : X3 or 140MPa¹⁾
71~150MPa : X1.5 or 150MPa¹⁾
> 150MPa : X1.5 or 500MPa¹⁾
Vibration 49.1m/s²{5G}, 10~500Hz
Shock 490m/s²{50G}
Pressure Port R1/4",G1/4",R3/8",G3/8",R1/2",G1/2", 9/16UNF Female(Only > 1500bar),
Flange & Other Connection Available on Request
Media-Wetted Materials SS316L, VITON or SS316L, Ti 87%
Explosion Proof Ex d IIC T6, IP67
Protection IP67
Weight Approx. 1kg

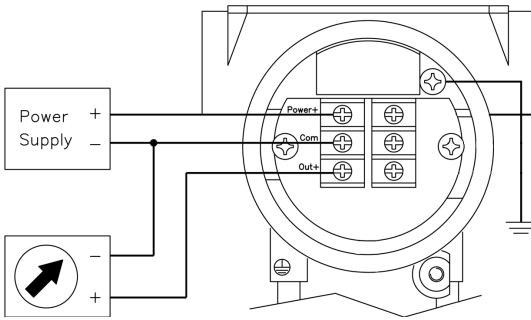
¹⁾ Whichever is less.

Dimension

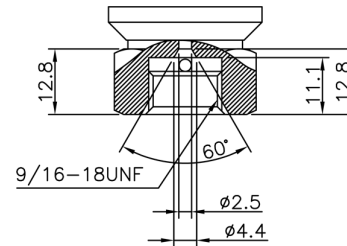
▶ Out Dimension



▶ Connection



▶ Pressure Port (> 1500bar)



Ordering Information

Model Name	SIG	G	A	0100	R	A	G	H	Accuracy
									H : 0.035%FS
Analog Output									Type of Pressure Measurement
C : 0~5V									G : Gauge
J : 0~10V									J : Absolute
E : 1~5V									Pressure port
G : 4~20mA(3Wire)									A : R(PT)3/8" B : G(PF)3/8"
Switching & Digital Output									C : R(PT)1/4" D : G(PF)1/4"
A : None									E : R(PT)1/2" Q : G(PF)1/2"
Pressure Range									K : 9/16-18 UNF(F) (Only > 1500bar)
XXXX : Pressure									*. Flange & Other Connection
CXXX : Compound Pressure									Available on Request
Pressure Unit									
R : kPa									
M : MPa									
B : bar									
K : kgf/cm ²									
P : psi									
H : mmHg									
C : cmH ₂ O									

· Specifications are subject to change without notice.