

Bimetal Thermometer

Model No. **SS-4067**

DAEJIN



SS-4067

Summary

This instrument is joined by two different metal plates which have different coefficient of expansion. The structure is simple and it is easy to use. Therefore, it is easy to read the scale when measuring and as the price of it is inexpensive, it can be used widely.

Safety Management

- Install a thermo well when there exist high voltage, slurry or when measuring the temperature of fluid with high corrosiveness.
- Do not give impact during transportation, installation and usage.
- Be sure to install the thermometer to be horizontal and vertical.
- Avoid the place where exist a lot of vibration.

Purpose of Use

- The measurement of temperature in various boilers, pipes, etc
- The measurement of temperature in petrochemistry, ships and various plants.
- Measurement of lines for sanitation such as food processor, etc.

Production Specification

- ▶ Diameter
 - 125mm
- ▶ Accuracy
 - $\pm 2.0\%$ of Full Scale
- ▶ Scale Range
 - $-30^{\circ}\text{C} \sim 600^{\circ}\text{C}$
- ▶ Common Temperature
 - 75% of Full Scale

Product Specification

| | | |
|---|--|---|
| + Case <ul style="list-style-type: none">· STS 304 | + Type <ul style="list-style-type: none">· L-Type | + Stem O,D <ul style="list-style-type: none">· $\varnothing 6.4, \varnothing 8, \varnothing 10, \varnothing 12$ |
| + Cover <ul style="list-style-type: none">· STS 304· Slip-on-Fit | + Dial <ul style="list-style-type: none">· Aluminum· Color of white· Black gradation and characters | + Well <ul style="list-style-type: none">· STS 304, STS 316· Titanium, Monel, Hastelloy· Teflon Lining, Glass Lining |
| + Connection <ul style="list-style-type: none">· STS 304· PF, PT, NPT \leftrightarrow 1/2, 1/4, 3/8, 1 | + Pointer <ul style="list-style-type: none">· Aluminum· Black coating | |
| + Window <ul style="list-style-type: none">· General glass· Tempered safety glass· Laminated safety glass | + Stem <ul style="list-style-type: none">· STS 304, STS 316 | |

Pressure Gauge

Differential Pressure Gauge & Switch

Accessories of Pressure Gauge

Thermometer & Thermometer Switch

Thermocouple & R.T.D

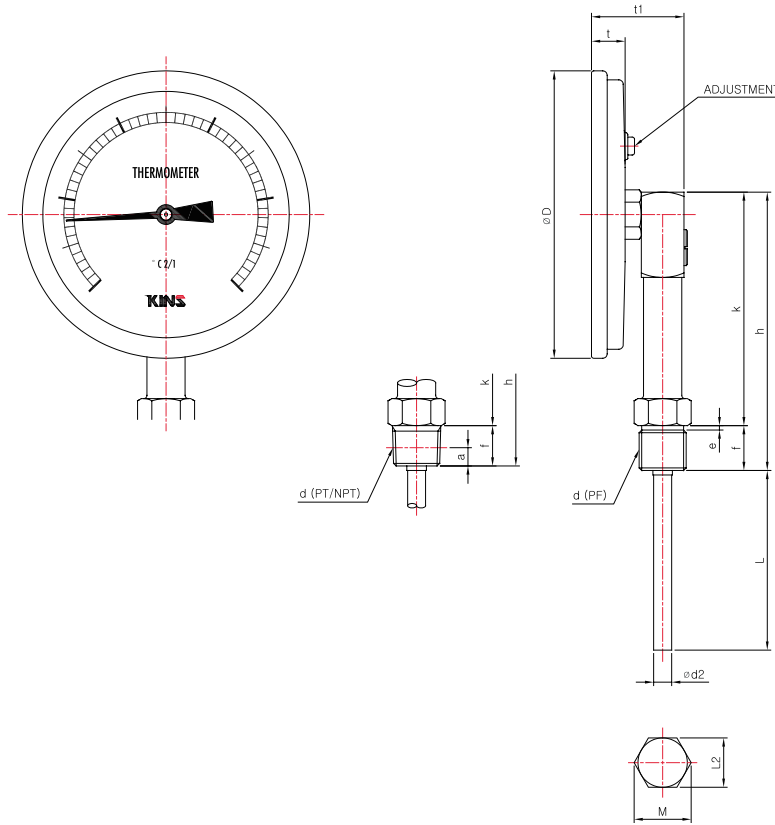
Thermowell

Transmitter

Indicator etc.

Technical data

Model No. | SS-4067 (125mm) T-Type (Direct Type)



※ Standard manufacturing temperature and the minimum strength of the detecting temperature part is the same as SS-4061 Series

Dimensions (mm)

| Model No. | Conn'n (d) | ØD | t | t1 | L2 | M | k | Ød2 | h | f | e | a | | | | |
|-----------|------------------------|-----|------|------|----|--------|-----|-----|-------|----|---|------|---|---|---|-------|
| SS-4067 | PF 1/4 NPT & PT 1/4 | 128 | (18) | (41) | 17 | (19.6) | 78 | 6.4 | (94) | 16 | 2 | - | | | | |
| | | | | | | | | 8 | (92) | 14 | - | 6.01 | | | | |
| | PF 3/8 NPT & PT 3/8 | | | | 19 | (21.9) | 80 | 6.4 | (98) | 18 | 2 | - | - | - | | |
| | | | | | | | | | | | | | | | 8 | (96) |
| | PF 1/2 NPT & PT 3/8 | | | | 22 | (25.4) | 92 | 6.4 | (102) | 20 | 2 | - | - | - | | |
| | | | | | | | | | | | | | | | 8 | (100) |
| | PF 3/4 NPT & PT 3/4 | | | | 27 | (31.1) | 84 | 6.4 | (106) | 22 | 2 | - | - | - | | |
| | | | | | | | | | | | | | | | 8 | (104) |
| | PF 1 NPT & PT 1 | | | | 36 | (41.5) | 286 | 6.4 | (100) | 24 | 2 | - | - | - | | |
| | | | | | | | | | | | | | | | 8 | (108) |
| | | | | | | | | | | | | 10 | | | | |
| | | | | | | | | | | | | 12 | | | | |

*()The measurement in the blanket is approximate.