

Recording Thermometer

Model No. **SS-4041 Series**

DAEJIN



SS-4041 250mm

Summary

This instrument is designed to record change of pressure with a pen on a record paper by a recording device according to the flow of the time

Safety Management

- If possible, install a well.
- Do not give impact during transportation, installation and usage.
- Be sure to install the thermometer to be horizontal and vertical.
- Avoid the places where steam and poisonous gas exist a lot.

Purpose of Use

- Various boilers
- Checking, observing, recording, etc. for various usage

Production Specification

- ▶ Diameter
 - 250 mm
- ▶ Accuracy
 - Grade : $\pm 2.0\%$ of Full Scale
- ▶ Scale Range
 - $-30^{\circ}\text{C} \sim 650^{\circ}\text{C}$
- ▶ Common Temperature
 - 75% of Full Scale

Product Specification

- | | | |
|--|--|---|
| <ul style="list-style-type: none">+ Case<ul style="list-style-type: none">· Aluminum(Black coating)+ Cover<ul style="list-style-type: none">· Aluminum(Black coating)+ Connection<ul style="list-style-type: none">· STS 304, 316· PF, PT, NPT \leftrightarrow 1/2+ Window<ul style="list-style-type: none">· General glass· Tempered safety glass | <ul style="list-style-type: none">+ Type<ul style="list-style-type: none">· Surface Type+ Chart Paper<ul style="list-style-type: none">· 30Papers+ Recorder Pen<ul style="list-style-type: none">· Aluminum· 1 pen (Temperature)· 2 pen (Temperature & Pressure)+ Revolution Time<ul style="list-style-type: none">· Controlling type \sim 30 min(Battery type) 1, 3, 4, 12, 24 hr2, 4, 7, 8, 16 Day | <ul style="list-style-type: none">+ Capillary Tube<ul style="list-style-type: none">· Standard 2 M (Maximum 10 M)(Minimum strength for the part of detecting temperature is two times of the general part)+ Element<ul style="list-style-type: none">· STS 304, STS 316+ Well<ul style="list-style-type: none">· STS 304, STS 316· Titanium, Monel, HastelloyTeflon Lining, Glass Lining |
|--|--|---|

Pressure Gauge

Differential Pressure Gauge & Switch

Accessories of Pressure Gauge

Thermometer & Thermometer Switch

Thermocouple & R.T.D

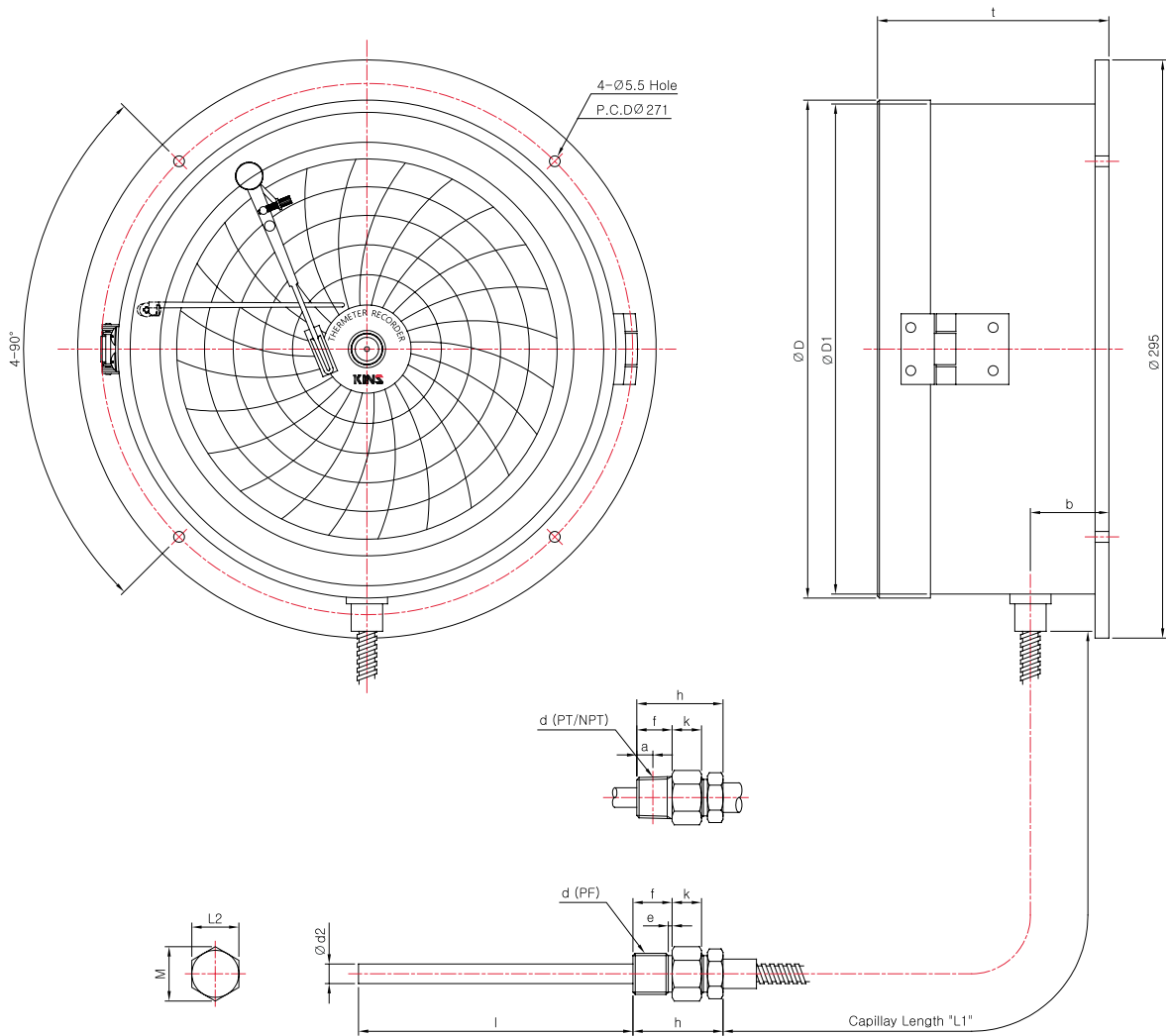
Thermowell

Transmitter

Indicator etc.

Technical data

Model No. | SS-4041 (250mm)



※ The formation of detecting temperature, the standard manufacturing temperature and the minimum strength of the detecting temperature part is the same as SS-4010 and the contact type is the same as SS-4025

Dimensions (mm)

Model No.	Conn'n (d)	ØD	ØD1	b	t	L2	M	k	Ød2	h	f	e	a
SS-4041	PF 1/2	254	250	40	(118)	24	(27.7)	17	8	(50)	20	2	-
	NPT & PT 1/2								10	(48)	18	-	8.16

*()The measurement in the blanket is approximate.

Pressure Gauge

Differential Pressure Gauge & Switch

Accessories of Pressure Gauge

Thermometer & Thermometer Switch

Thermocouple & R.T.D

Thermowell

Transmitter

Indicator etc.

Technical data