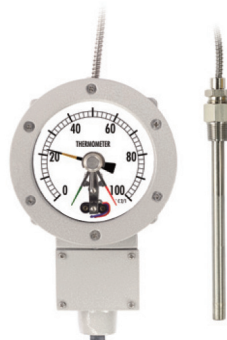


Liquid Filled Thermometer Transformer

Model No. **SS-4023 Series**

DAEJIN



SS-4023 100mm

Summary

The principle and structure of this temperature measurement instrument is the same as the filled thermometer but it produces a contact signal when there is an increase or decrease of temperature by installing the set-up indicator for high and low.

Safety Management

- If possible, install a well.
- Do not give impact during transportation, installation and usage.
- Be sure to install the thermometer to be horizontal and vertical.
- Avoid the places where steam and poisonous gas exist a lot.
- Connect under the rated voltage.

Purpose of Use

- Various temperature control, information system
- Various boilers
- Petrochemistry plant
- Transformer, etc

Production Specification

- ▶ Diameter
 - 100 mm
- ▶ Accuracy
 - $\pm 2.0\%$ of Full Scale
- ▶ Scale Range
 - $-30^{\circ}\text{C} \sim 650^{\circ}\text{C}$
- ▶ Common Temperature
 - 75% of Full Scale

Product Specification

- | | | |
|--|--|--|
| <ul style="list-style-type: none"> + Case <ul style="list-style-type: none"> · Aluminum(Hammer tone coating) + Cover <ul style="list-style-type: none"> · Aluminum(Hammer tone coating) + Connection <ul style="list-style-type: none"> · STS 304, 316 · PF, PT, NPT ↔ 1/2 + Window <ul style="list-style-type: none"> · General glass · Tempered safety glass · Laminated safety glass | <ul style="list-style-type: none"> + Type <ul style="list-style-type: none"> · B-Type(Surface type) + Dial <ul style="list-style-type: none"> · Aluminum · Color of white · Black gradation and characters + Pointer <ul style="list-style-type: none"> · Phosphor bronze · Black coating + Capillary Tube <ul style="list-style-type: none"> · Standard 2 M (Maximum 10 M) | <ul style="list-style-type: none"> + Contact rating <ul style="list-style-type: none"> · AC 125V 0,5A / 250V 0,25A · DC 24V 0,25A + Contact type <ul style="list-style-type: none"> · High and Low 2 contact (High or Low, High & High High & Low, Low & Low) + Well <ul style="list-style-type: none"> · STS 304, 316 · Titanium, Monel, Hastelloy Teflon Lining, Glass Lining |
|--|--|--|

Pressure Gauge

Differential Pressure Gauge & Switch

Accessories of Pressure Gauge

Thermometer & Thermometer Switch

Thermocouple & R.T.D

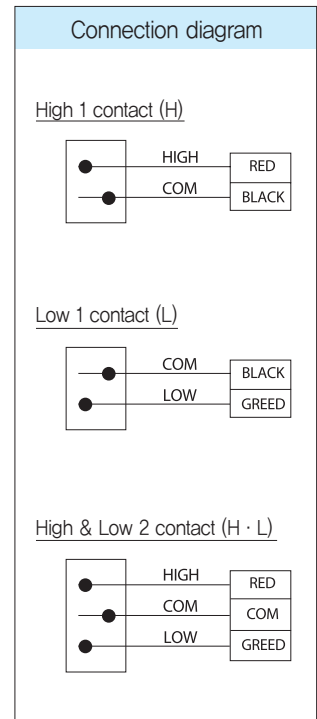
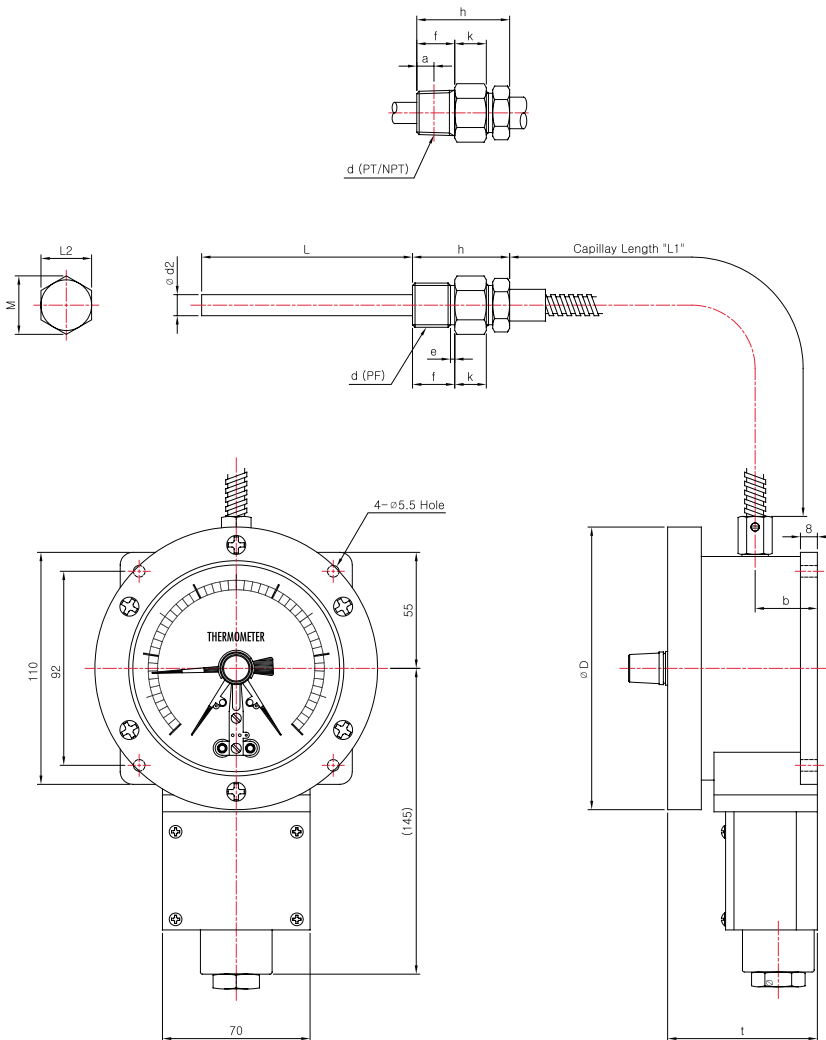
Thermowell

Transmitter

Indicator etc.

Technical data

Model No. | SS-4023 (100mm) Surface Type



* Other details are the same as SS-4010 100mm Series

Dimensions (mm)

Model No.	Con'n (d)	ØD	t	t	L2	M	k	Ød2	h	f	e	a
SS-4023	PF 1/2	114	37	(56)	24	(27.7)	17	8	(50)	20	2	-
	NPT & PT 1/2							10	(48)	18	-	8.16

* () The measurement in the blanket is approximate.