

# Liquid Filled Type Thermometer (with Contact)

Model No. **SS-4020 Series**

**DAEJIN**



**SS-4020 100mm**

## Summary

The principle and structure of this temperature measurement instrument is the same as the filled thermometer but it produces a contact signal when there is an increase or decrease of temperature by installing the indicator for high and low set-up.

### Safety Management

- If possible, install a well.
- Do not give impact during transportation, installation and usage.
- Be sure to install the thermometer to be horizontal and vertical.
- Avoid the places where steam and poisonous gas exist a lot.

### Purpose of Use

- Various temperature control, information system
- Various boilers
- Petrochemistry plant
- Transformer, etc

### Production Specification

- ▶ Diameter
  - 100 mm
- ▶ Accuracy
  - $\pm 2.0\%$  of Full Scale
- ▶ Scale Range
  - $-30^{\circ}\text{C} \sim 650^{\circ}\text{C}$
- ▶ Common Temperature
  - 75% of Full Scale

### Product Specification

<ul style="list-style-type: none"> <li>+ Case                             <ul style="list-style-type: none"> <li>· STS 304</li> </ul> </li> </ul>	<ul style="list-style-type: none"> <li>+ Type                             <ul style="list-style-type: none"> <li>· B-Type(Surface type)</li> <li>· BD-Type(Panel attachment type)</li> </ul> </li> </ul>	<ul style="list-style-type: none"> <li>+ Contact rating                             <ul style="list-style-type: none"> <li>· AC 125V 0,5A / 250V 0,25A</li> <li>· DC 24V 0,25A</li> </ul> </li> </ul>
<ul style="list-style-type: none"> <li>+ Cover                             <ul style="list-style-type: none"> <li>· STS 304</li> <li>· Slip-on-Fit</li> </ul> </li> </ul>	<ul style="list-style-type: none"> <li>+ Dial                             <ul style="list-style-type: none"> <li>· Aluminum</li> <li>· Color of white</li> <li>· Black gradation and characters</li> </ul> </li> </ul>	<ul style="list-style-type: none"> <li>+ Contact type                             <ul style="list-style-type: none"> <li>· High and Low 2 contact (High or Low, High &amp; High High &amp; Low, Low &amp; Low)</li> </ul> </li> </ul>
<ul style="list-style-type: none"> <li>+ Connection                             <ul style="list-style-type: none"> <li>· STS 304, 316</li> <li>· PF, PT, NPT ↔ 1/2</li> </ul> </li> </ul>	<ul style="list-style-type: none"> <li>+ Pointer                             <ul style="list-style-type: none"> <li>· Phosphor bronze</li> <li>· Black coating</li> </ul> </li> </ul>	<ul style="list-style-type: none"> <li>+ Well                             <ul style="list-style-type: none"> <li>· STS 304, 316</li> <li>· Titanium, Monel, Hastelloy Teflon Lining, Glass Lining</li> </ul> </li> </ul>
<ul style="list-style-type: none"> <li>+ Window                             <ul style="list-style-type: none"> <li>· Poly Carbonate</li> </ul> </li> </ul>	<ul style="list-style-type: none"> <li>+ Capillary Tube                             <ul style="list-style-type: none"> <li>· Standard 2 M (Maximum 10 M)</li> </ul> </li> </ul>	

Pressure Gauge

Differential Pressure Gauge & Switch

Accessories of Pressure Gauge

Thermometer & Thermometer Switch

Thermocouple & R.T.D

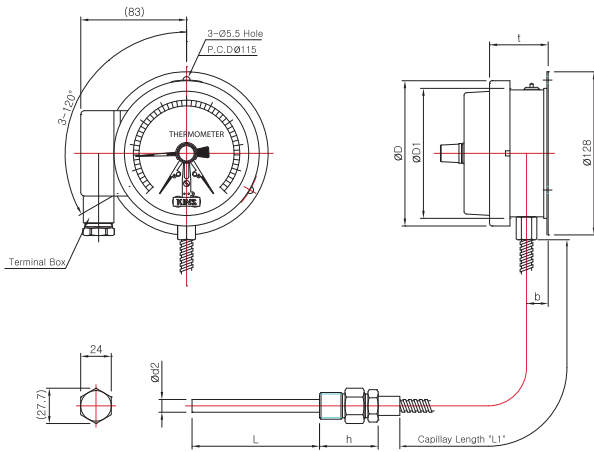
Thermowell

Transmitter

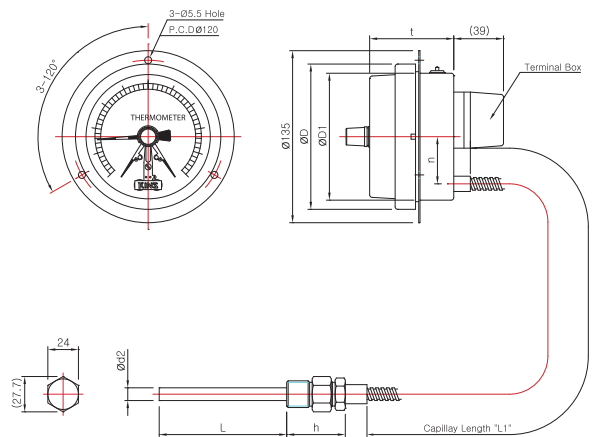
Indicator etc.

Technical data

## Model No. | SS-4021 100mm B-Type(Surface type)

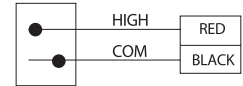


## Model No. | SS-4022 100mm BD-Type(Panel attachment type)

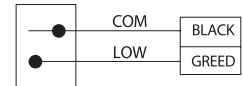


### Connection diagram

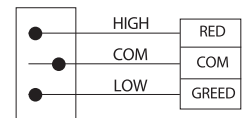
#### High 1 contact (H)



#### Low 1 contact (L)



#### High & Low 2 contact (H · L)



\* Other details are the same as SS-4010 100mm Series

### Dimensions (mm)

Model No.	Conn'h (d)	ØD	ØD1	b	n	t	L2	M	k	Ød2	h	f	e	a
SS-4021	PF 1/2	114	100	17	-	(56)	24	(27.7)	17	8 10 12	(50)	20	2	-
	NPT & PT 1/2										(48)	18	-	8.16
SS-4022	PF 1/2	114	100	-	37	(56)	24	(27.7)	17	8 10 12	(50)	20	2	-
	NPT & PT 1/2										(48)	18	-	8.16

\* ( )The measurement in the blanket is approximate.