

Sanitary Pressure Gauge

Model No. **SS-3139 Series**

DAEQIN



SS-3139 100mm

Summary

This gauge is designed to guarantee the performance and the lifespan of the equipment which measures pressure of fluid which is mixed with powder that has coagulation in chemical industry such as food and various devices and lines for sanitation, etc. It also guarantees the performance and the lifespan when measuring fluid which has high corrosiveness.

Safety Management

- Do not give impact during transportation, installation and usage
- Be sure to install the pressure gauge to be vertical and horizontal

Purpose of Use

- Food processor, tank
- Fluid with high viscosity, temperature, pressure

Production Specification

- ▶ Diameter
 - 100 mm
- ▶ Accuracy
 - $\pm 1.0\%$ of Full Scale
- ▶ Scale Range
 - $-0.1 \sim 0.3 \text{ MPa} + 2 \text{ MPa}$, $0 \sim 10 \text{ MPa}$
 - (※ $1 \text{ MPa} = 10.19716 \text{ kgf/cm}^2$)
- ▶ Working Pressure
 - Static pressure : 75% of Full Scale
 - Fluctuating pressure : 60% of Full Scale
- ▶ Working Temperature
 - Ambient : $-20 \sim 80 \text{ }^\circ\text{C}$
 - Fluid : $-20 \sim 80 \text{ }^\circ\text{C}$

Product Specification

| | | |
|--|---|--|
| <ul style="list-style-type: none"> + Case <ul style="list-style-type: none"> · STS 304 | <ul style="list-style-type: none"> + Window <ul style="list-style-type: none"> · Tempered safety glass, Laminated safety glass | <ul style="list-style-type: none"> + Element <ul style="list-style-type: none"> · STS 304, STS 316 · C type bourdon tube |
| <ul style="list-style-type: none"> + Cover <ul style="list-style-type: none"> · STS 304 · Slip-on-Fit | <ul style="list-style-type: none"> + Pointer <ul style="list-style-type: none"> · Aluminum · Black coating | <ul style="list-style-type: none"> + Movement <ul style="list-style-type: none"> · STS 304 |
| <ul style="list-style-type: none"> + Type <ul style="list-style-type: none"> · 3139(A)-Type (Flange stationary type) | <ul style="list-style-type: none"> + Dial <ul style="list-style-type: none"> · Aluminum · White coating · Black (MPa), red (bar) gradations and characters | <ul style="list-style-type: none"> + Diaphragm <ul style="list-style-type: none"> · STS 304, STS 316 · Able to produce titanium, tantalum, hastelloy, etc. |
| <ul style="list-style-type: none"> + Connection <ul style="list-style-type: none"> · STS 316 · See flange standard table | | |

Pressure Gauge

Differential Pressure Gauge & Switch

Accessories of Pressure Gauge

Thermometer & Thermometer Switch

Thermocouple & R.T.D

Thermowell

Transmitter

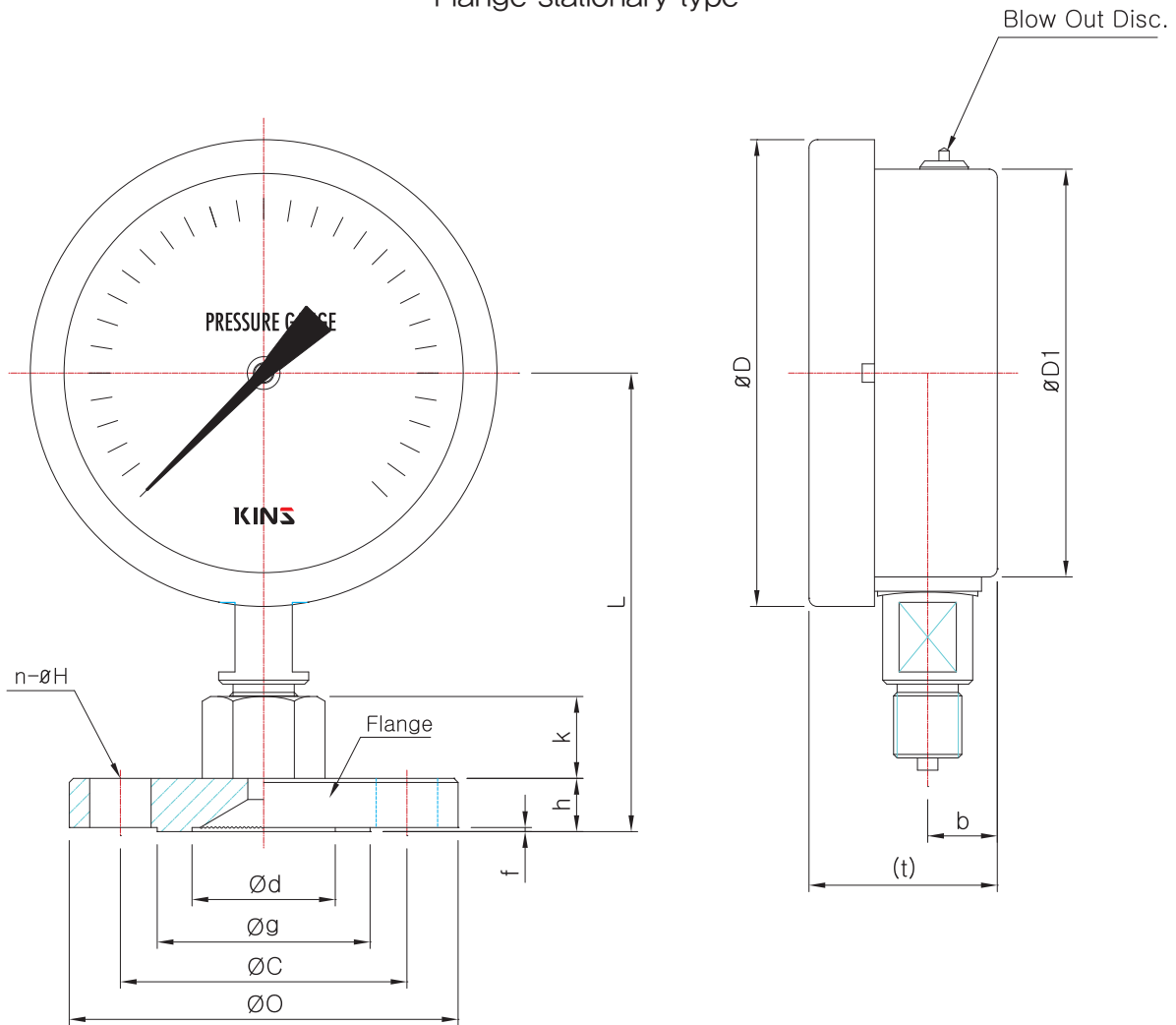
Indicator etc.

Technical data

Sanitary Pressure Gauge

Model No. **SS-3139 Series**

Model No. | **SS-3139 (100mm)**
Flange stationary type



Dimensions (mm)

| Model No. | ØD | ØD1 | b | t | JIS 10kgf/cm ² (Type) | Flange | | | | | | Diaphragm Diameter Ød | k | L | |
|-----------|-----|-----|----|------|----------------------------------|--------|-----|-----|---|----|------|-----------------------|----|-----|-----|
| | | | | | | O | C | g | f | h | n-ØH | | | | |
| SS-3139 | 114 | 100 | 17 | (46) | 10A | 90 | 65 | 48 | 1 | 12 | 4-15 | 35 | 20 | 106 | |
| | | | | | 15A | 95 | 70 | 52 | 1 | 12 | 4-15 | 35 | 20 | 106 | |
| | | | | | 20A | 100 | 75 | 58 | 1 | 14 | 4-15 | 35 | 47 | 20 | 108 |
| | | | | | 25A | 125 | 90 | 70 | 1 | 14 | 4-19 | 35 | 47 | 50 | 138 |
| | | | | | 32A | 135 | 100 | 80 | 2 | 16 | 4-19 | 35 | 47 | 50 | 140 |
| | | | | | 40A | 140 | 105 | 85 | 2 | 16 | 4-19 | 35 | 47 | 50 | 140 |
| | | | | | 50A | 155 | 120 | 100 | 2 | 16 | 4-19 | 47 | 50 | 140 | |
| | | | | | 65A | 175 | 140 | 120 | 2 | 18 | 4-19 | 58 | 50 | 142 | |
| | | | | | 80A | 185 | 150 | 130 | 2 | 18 | 4-19 | 70 | 50 | 142 | |
| | | | | | 100A | 210 | 175 | 155 | 2 | 18 | 8-19 | 100 | 50 | 142 | |

*()The measurement in the blanket is approximate.

Pressure Gauge

Differential Pressure Gauge & Switch

Accessories of Pressure Gauge

Thermometer & Thermometer Switch

Thermocouple & R.T.D

Thermowell

Transmitter

Indicator, etc.

Technical data