

Sanitary Pressure Gauge

Model No. **SS-3135/6 Series**

DAEQIN



SS-3135 100mm



SS-3136 100mm

Summary

This gauge is designed to guarantee the performance and the lifespan of the equipment which measures pressure of fluid which is mixed with powder that has coagulation in chemical industry such as food and various devices and lines for sanitation, etc. It also guarantees the performance and the lifespan when measuring fluid which has high corrosiveness.

Safety Management

- Do not give impact during transportation, installation and usage
- Be sure to install the pressure gauge to be vertical and horizontal

Purpose of Use

- Food processor, tank
- Fluid with high viscosity, temperature, pressure

Production Specification

- ▶ Diameter
 - 100 mm
- ▶ Accuracy
 - $\pm 1.0\%$ of Full Scale
- ▶ Scale Range
 - SS-3135 : $-0.1 + 0.2$ MPa \sim 2 MPa, 0 \sim 10 MPa
 - SS-3136 : 15 \sim 70 MPa
 - ($\times 1$ MPa = 10,19716 kgf/cm²)
- ▶ Working Pressure
 - Static pressure : 75% of Full Scale
 - Fluctuating pressure : 60% of Full Scale
- ▶ Working Temperature
 - Ambient : $-20 \sim 80$ °C
 - Fluid : $-20 \sim 80$ °C

Product Specification

- | | | |
|--|---|--|
| <ul style="list-style-type: none"> + Case <ul style="list-style-type: none"> · STS 304 + Cover <ul style="list-style-type: none"> · STS 304 · Slip-on-Fit + Type <ul style="list-style-type: none"> · 3135(A)-Type (Female screw type) · 3136(A)-Type (Jig type) + Connection <ul style="list-style-type: none"> · STS 316 · IDF & DIN 1 1/2S, 2S, 2 1/2S, 3S : Female(SS-3135) · See the drawing of product(SS-3136) | <ul style="list-style-type: none"> + Window <ul style="list-style-type: none"> · Tempered safety glass, Laminated safety glass + Pointer <ul style="list-style-type: none"> · Aluminum · Black coating + Dial <ul style="list-style-type: none"> · Aluminum · White coating · Black (MPa), red (bar) gradations and characters + Element <ul style="list-style-type: none"> · STS 304, STS 316 · C type bourdon tube | <ul style="list-style-type: none"> + Movement <ul style="list-style-type: none"> · STS 304 + Diaphragm <ul style="list-style-type: none"> · STS 304, STS 316 |
|--|---|--|

Pressure Gauge

Differential Pressure Gauge & Switch

Accessories of Pressure Gauge

Thermometer & Thermometer Switch

Thermocouple & R.T.D

Thermowell

Transmitter

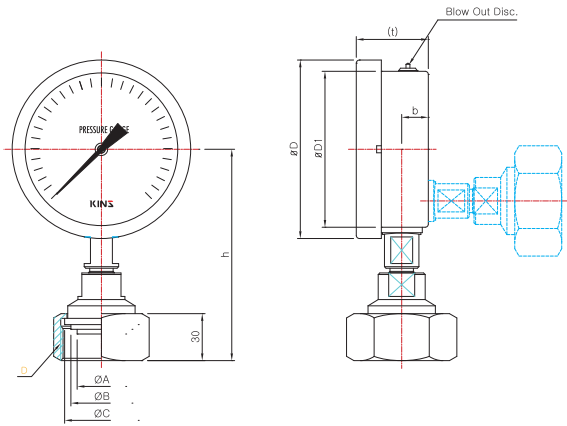
Indicator etc.

Technical data

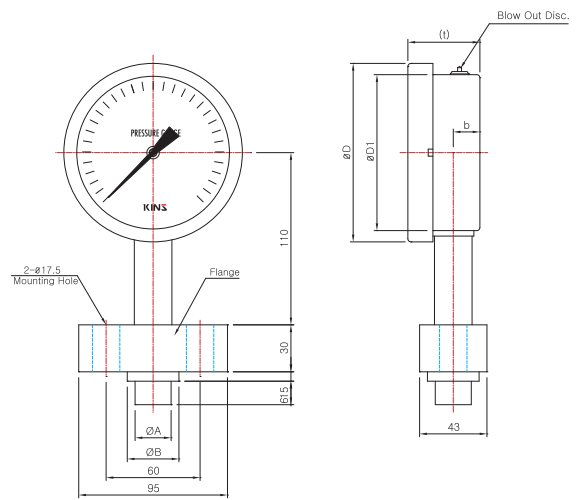
Sanitary Pressure Gauge

Model No. **SS-3135/6 Series**

Model No. | **SS-3135 (100mm)**
Female screw type



Model No. | **SS-3136 (100mm)**
Jig type



Dimensions (mm)

Model No.	Conn'n (d)	ØD	ØD1	b	t	h	ØA	ØB	ØC	L	M
SS-3135	1 1/2 S	114	100	17	(46)	(127)	35	43	47	61	(70.4)
	2 S						47	56	60	76	(87.7)
	2 1/2 S						58	69.7	74	91	(105)
	3 S						70	82.6	87.5	106.5	(122.9)

Model No.	ØD	ØD1	b	t	ØA	ØB
SS-3136	114	100	17	(46)		

*()The measurement in the blanket is approximate.

Pressure Gauge

Differential Pressure Gauge & Switch

Accessories of Pressure Gauge

Thermometer & Thermometer Switch

Thermocouple & RTD

Thermowell

Transmitter

Indicator etc.

Technical data