

Sanitary Pressure Gauge

Model No. **SS-3131/2 Series**

DAEJIN



SS-3131 100mm



SS-3132 100mm

Summary

This gauge is designed to guarantee the performance and the lifespan of the equipment which measures pressure of fluid which is mixed with powder that has coagulation in chemical industry such as food and various devices and lines for sanitation, etc. It also guarantees the performance and the lifespan when measuring fluid which has high corrosiveness.

Safety Management

- Do not give impact during transportation, installation and usage
- Be sure to install the pressure gauge to be horizontal and vertical

Purpose of Use

- Food processor, tank
- Fluid with high viscosity, high temperature, high pressure

Production Specification

- ▶ Diameter
 - 100 mm
- ▶ Accuracy
 - $\pm 1.0\%$ of Full Scale
- ▶ Scale Range
 - SS-3131 : -0.1 MPa \sim 2 MPa, 0 \sim 10 MPa
 - SS-3132 : 15 \sim 70 MPa
 - (※ 1 MPa = 10,19716 kgf/cm²)
- ▶ Working Pressure
 - Static pressure : 75% of Full Scale
 - Fluctuating pressure : 60% of Full Scale
- ▶ Working Temperature
 - Ambient : $-20 \sim 65$ °C
 - Fluid : $-20 \sim 80$ °C

Product Specification

- | | | |
|---|---|--|
| <ul style="list-style-type: none"> + Case <ul style="list-style-type: none"> · STS 304 + Cover <ul style="list-style-type: none"> · STS 304 · Slip-on-Fit + Under Flange <ul style="list-style-type: none"> · STS 304, STS 316 + Type <ul style="list-style-type: none"> · 3131(A)-Type (Heatsink type) · 3132(A)-Type (I type) | <ul style="list-style-type: none"> + Connection <ul style="list-style-type: none"> · STS 316 · See the flange standard table(SS-3131) · See the product drawing(SS-3132) + Window <ul style="list-style-type: none"> · Tempered safety glass, · Laminated safety glass + Pointer <ul style="list-style-type: none"> · Aluminum · Black coating | <ul style="list-style-type: none"> + Dial <ul style="list-style-type: none"> · Aluminum · White coating · Black (MPa), red (bar) graduations and characters + Element <ul style="list-style-type: none"> · STS 304, STS 316 · C type bourdon tube + Movement <ul style="list-style-type: none"> · STS 304 + Diaphragm <ul style="list-style-type: none"> · STS 304, STS 316 |
|---|---|--|

Pressure Gauge

Differential Pressure Gauge & Switch

Accessories of Pressure Gauge

Thermometer & Thermometer Switch

Thermocouple & RTD

Thermowell

Transmitter

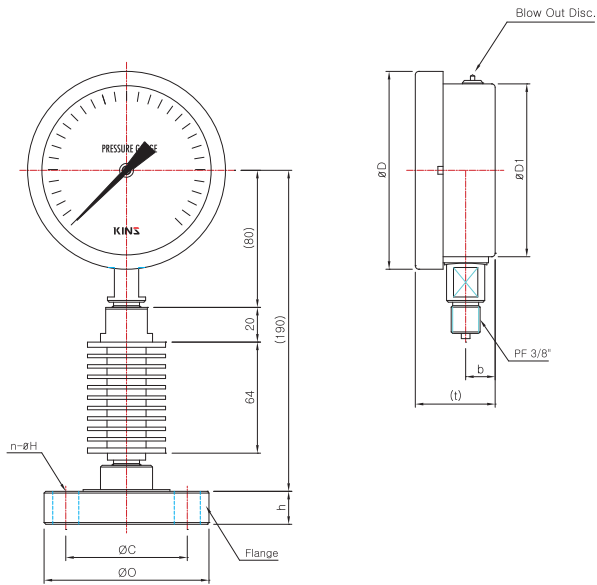
Indicator etc.

Technical data

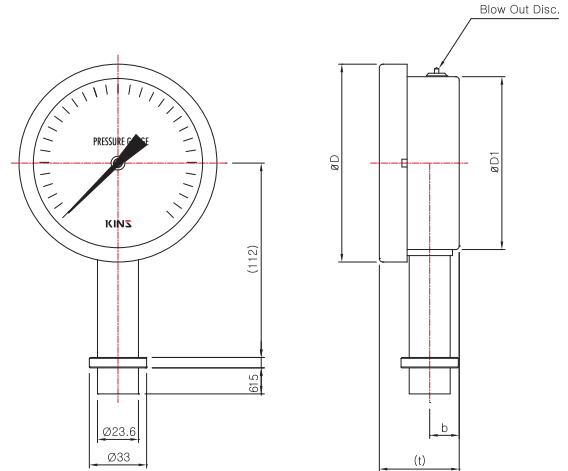
Sanitary Pressure Gauge

Model No. **SS-3131/2 Series**

Model No. | **SS-3131 (100mm)**
Heatsink type



Model No. | **SS-3132 (100mm)**
I type



Dimensions (mm)

Model No.	ØD	ØD1	b	t	JIS 10kgf/cm ²	ØO	ØC	n-ØH	h	ANSI CLASS #150	ØO	ØC	n-ØH	h
SS-3131	114	100	17	(46)	15A	95	70	4-Ø15	22	1/2B	89	60.3	4-Ø16	21.5
					20A	100	75	4-Ø15	24	3/4B	98	69.9	4-Ø16	23.0
					25A	125	90	4-Ø19	24	1B	108	79.4	4-Ø16	24.5
					32A	135	100	4-Ø19	26	1 1/4B	117	88.9	4-Ø16	26.0
					40A	140	105	4-Ø19	26	1 1/2B	127	98.4	4-Ø16	27.5
					50A	155	120	4-Ø19	26	2B	152	120.6	4-Ø19	29.5

Model No.	ØD	ØD1	b	t
SS-3132	114	100	17	(46)

*()The measurement in the blanket is approximate.

Pressure Gauge

Differential Pressure Gauge & Switch

Accessories of Pressure Gauge

Thermometer & Thermometer Switch

Thermocouple & RTD

Thermowell

Transmitter

Indicator, etc.

Technical data