

# Leak Testing Recorder (200mm)

Model No. **SS-3113 Series**

**DAEQIN**



**SS-3113**

## Summary

This instrument is a wall-mounted tightness test recording instrument which records pressure changes while running with a pen on a paper for recording according to the flow of time with a recording device.

### Safety Management

- Be sure to install a protecting device where exist abrupt change of pressure, vibration and pulsation.
- Do not give impact during the transportation, installation and usage.
- Be sure to install pressure gauge to be horizontal and vertical.

### Purpose of Use

- Checking leakage of LPG, LNG tank line
- Places where the danger of explosion by electric spark exist, etc.
- Facility standard of gas equipment permission

### Production Specification

- ▶ Diameter
  - 200 mm
- ▶ Accuracy
  - ±1.5% of Full Scale
- ▶ Scale Range
  - - 0.1 MPa ~ 2 MPa, 0 ~ 100 MPa
  - (※ 1 MPa = 10.19716 kgf/cm<sup>2</sup>)
- ▶ Working Pressure
  - Static pressure : 75% of Full Scale
  - Fluctuating pressure : 60% of Full Scale
- ▶ Working Temperature
  - Ambient : - 20 ~ 65 °C
  - Fluid : - 20 ~ 80 °C

### Product Specification

<p>+ Case</p> <ul style="list-style-type: none"> <li>· Aluminum(Hammer tone coating)</li> </ul>	<p>+ Type</p> <ul style="list-style-type: none"> <li>· Portable (square)</li> </ul>	<p>+ Chart Paper</p> <ul style="list-style-type: none"> <li>· 30 papers</li> </ul>
<p>+ Cover</p> <ul style="list-style-type: none"> <li>· Aluminum(Hammer tone coating)</li> </ul>	<p>+ Recorder Pen</p> <ul style="list-style-type: none"> <li>· 1 Pen Type</li> </ul>	<p>+ Element</p> <ul style="list-style-type: none"> <li>· STS 304</li> <li>· C type bourdon tube</li> </ul>
<p>+ Connection</p> <ul style="list-style-type: none"> <li>· Brass</li> <li>· PT ↔ 3/8(Cr-Plating)</li> </ul>	<p>+ Revolution Time</p> <ul style="list-style-type: none"> <li>· Stationary type (spring type)</li> <li>~ 10min, 30min</li> <li>· Controlling type (battery type)</li> <li>~ 30min, 1hr, 3hr, 4hr, 12hr, 24hr</li> <li>2Day, 4Day, 7Day, 8Day, 16Day</li> </ul>	<p>+ Movement</p> <ul style="list-style-type: none"> <li>· Brass</li> </ul>
<p>+ Window</p> <ul style="list-style-type: none"> <li>· ENG'G Plastic</li> </ul>		<p>+ Option</p> <ul style="list-style-type: none"> <li>· Accessories</li> </ul>

Pressure Gauge

Differential Pressure Gauge & Switch

Accessories of Pressure Gauge

Thermometer & Thermometer Switch

Thermocouple & R.T.D

Thermowell

Transmitter

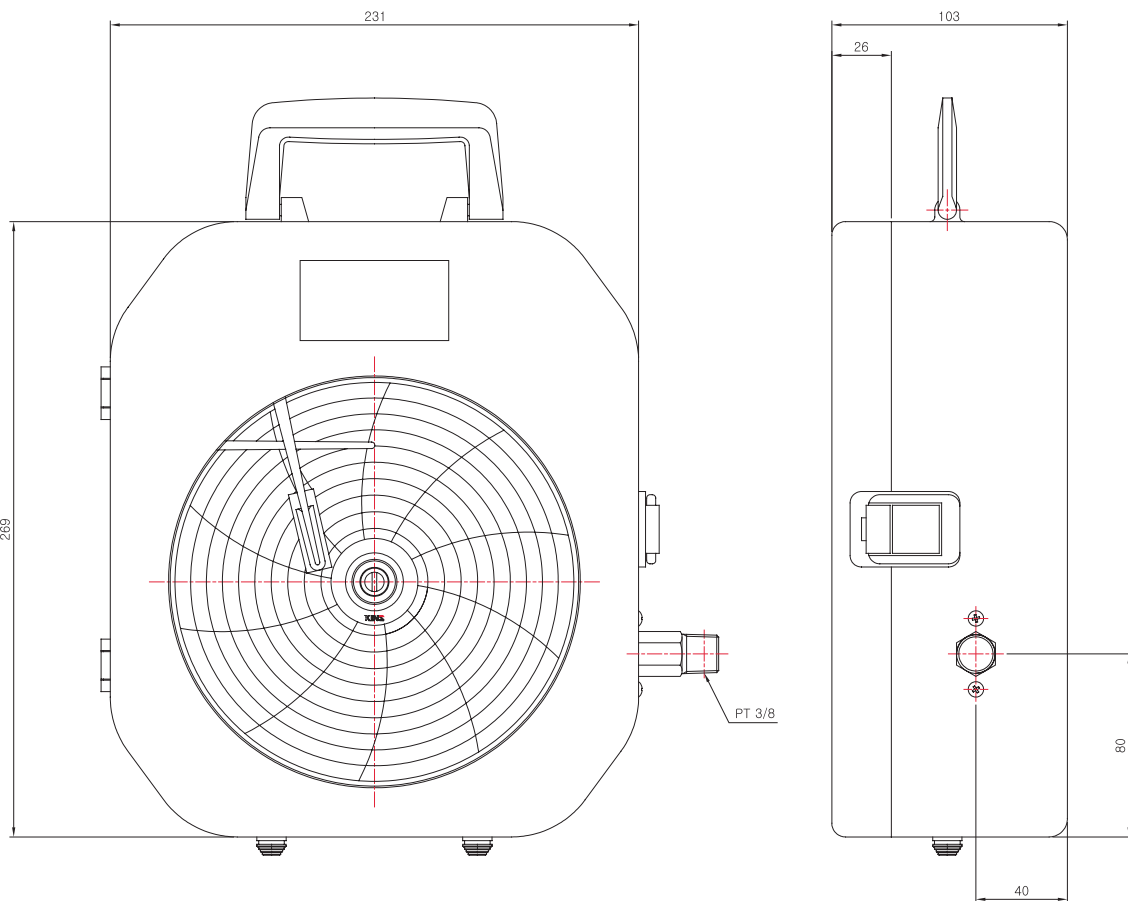
Indicator etc.

Technical data

# Leak Testing Recorder (200mm)

Model No. **SS-3113 Series**

Model No. | **SS-3113 (200mm)**



Pressure Gauge

Differential Pressure Gauge & Switch

Accessories of Pressure Gauge

Thermometer & Thermometer Switch

Thermocouple & R.T.D

Thermowell

Transmitter

Indicator etc.

Technical data