

# Pressure Recorder Gauge

Model No. **SS-3111 Series**

**DAEQIN**



**SS-3111 [1PEN]**

## Summary

This gauge is a wall-mounted tightness test recording instrument which records pressure changes while running with a pen on a paper for recording according to the flow of time with a recording device.

### Safety Management

- Be sure to install a protecting device where exist abrupt change of pressure, vibration and pulsation.
- Do not give impact during the transportation, installation and usage.
- Be sure to install pressure gauge to be horizontal and vertical.

### Purpose of Use

- Chemistry plant, LPG, LNG storage
- Various uses such as observation, checking, recording, etc.

### Production Specification

- ▶ Diameter
  - 250 mm
- ▶ Accuracy
  - $\pm 1.5\%$  of Full Scale
- ▶ Scale Range
  - $-0.1 \text{ MPa} \sim 2 \text{ MPa}$ ,  $0 \sim 100 \text{ MPa}$
  - ( $\times 1 \text{ MPa} = 10.19716 \text{ kgf/cm}^2$ )
- ▶ Working Pressure
  - Static pressure : 75% of Full Scale
  - Fluctuating pressure : 60% of Full Scale
- ▶ Working Temperature
  - Ambient :  $-20 \sim 65 \text{ }^\circ\text{C}$
  - Fluid :  $-20 \sim 80 \text{ }^\circ\text{C}$

### Product Specification

<ul style="list-style-type: none"> <li>+ Case                             <ul style="list-style-type: none"> <li>· Aluminum(Black coating)</li> </ul> </li> </ul>	<ul style="list-style-type: none"> <li>+ Type                             <ul style="list-style-type: none"> <li>· B-Type (Surface type)</li> </ul> </li> </ul>	<ul style="list-style-type: none"> <li>+ Chart Paper                             <ul style="list-style-type: none"> <li>· 30 papers</li> </ul> </li> </ul>
<ul style="list-style-type: none"> <li>+ Cover                             <ul style="list-style-type: none"> <li>· Aluminum(Black coating)</li> </ul> </li> </ul>	<ul style="list-style-type: none"> <li>+ Recorder Pen                             <ul style="list-style-type: none"> <li>· 1 pen (Pressure)</li> </ul> </li> </ul>	<ul style="list-style-type: none"> <li>+ Element                             <ul style="list-style-type: none"> <li>· STS 304, STS 316</li> <li>· C type bourdon tube</li> </ul> </li> </ul>
<ul style="list-style-type: none"> <li>+ Connection                             <ul style="list-style-type: none"> <li>· STS 316</li> <li>· PF, PT, NPT <math>\leftrightarrow</math> 3/8, 1/2</li> </ul> </li> </ul>	<ul style="list-style-type: none"> <li>+ Revolution Time                             <ul style="list-style-type: none"> <li>· Stationary type (spring type)</li> <li>~ 10min, 30min</li> <li>· Controlling type (battery type)</li> <li>~ 30min, 1hr, 3hr, 4hr, 12hr, 24hr</li> <li>2Day, 4Day, 7Day, 8Day, 16Day</li> </ul> </li> </ul>	<ul style="list-style-type: none"> <li>+ Movement                             <ul style="list-style-type: none"> <li>· STS 304</li> </ul> </li> </ul>
<ul style="list-style-type: none"> <li>+ Window                             <ul style="list-style-type: none"> <li>· Tempered safety glass,</li> <li>Laminated safety glass</li> </ul> </li> </ul>		<ul style="list-style-type: none"> <li>+ Option                             <ul style="list-style-type: none"> <li>· Accessories</li> </ul> </li> </ul>

Pressure Gauge

Differential Pressure Gauge & Switch

Accessories of Pressure Gauge

Thermometer & Thermometer Switch

Thermocouple & RTD

Thermowell

Transmitter

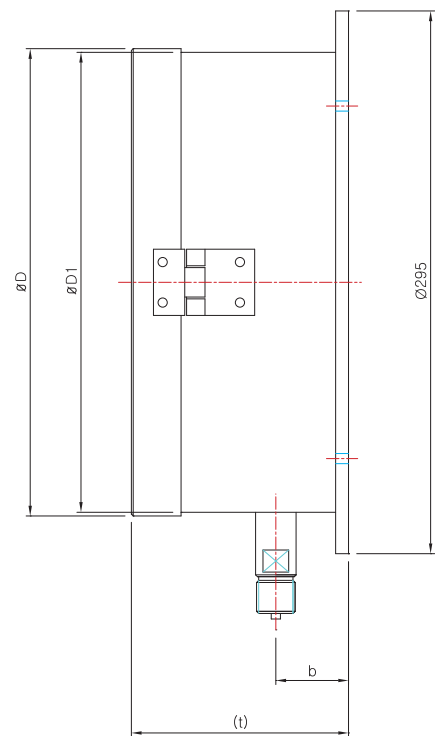
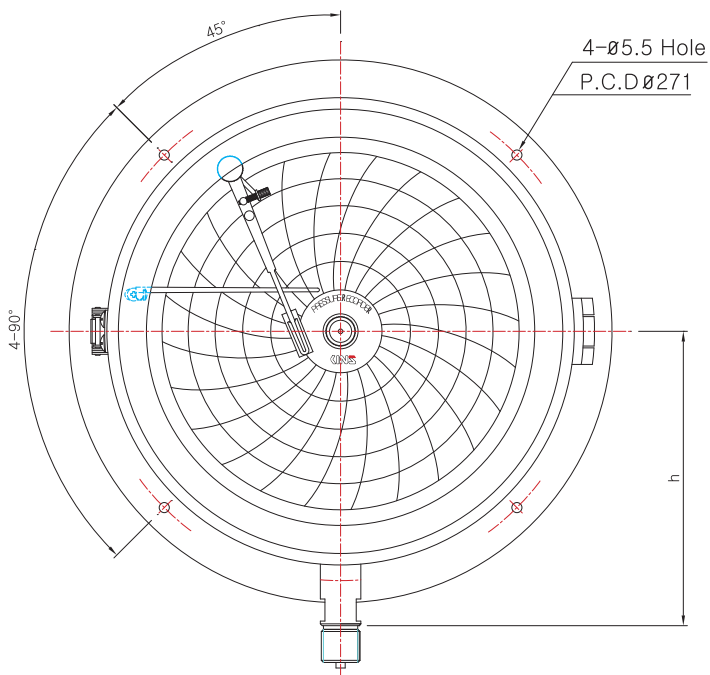
Indicator etc.

Technical data

# Pressure Recorder Gauge

Model No. **SS-3111 Series**

Model No. | **SS-3111 (250mm)**  
B-Type (Surface type)



## Dimensions (mm)

Model No.	Conn'n (d)	$\varnothing D$	$\varnothing D1$	b	t	L2	h
SS-3111	NPT & PT, PF 3/8	254	250	40	(118)	17	(160)
	NPT & PT, PF 1/2						

\*( )The measurement in the blanket is approximate.

Pressure Gauge

Differential Pressure Gauge & Switch

Accessories of Pressure Gauge

Thermometer & Thermometer Switch

Thermocouple & R.T.D

Thermowell

Transmitter

Indicator etc.

Technical data