

Duplex Pressure Gauge

Model No. **SS-3090 Series**

DAEQIN



SS-3091 100mm



SS-3092 100mm

Summary

This gauge has a structure that 2 pressure gauges are combined as a one equipment. It consists of two pressure openings, two bourdon pipes, two indicators (concentric trommel movement) and two types of amplification devices, etc. Therefore, it can measure two places' pressures with one gauge. This gauge has limitation in installation and usually it is for vehicles and has high durability.

Safety Management

- Be sure to install a protecting device where exist abrupt change of pressure, vibration and pulsation.
- Do not give impact during the transportation, installation and usage.
- Be sure to install pressure gauge to be horizontal and vertical.

Purpose of Use

- For railroad car, ships, equipment of generators
- Potential difference of pressure line, etc.

Production Specification

- ▶ Diameter
 - 100 mm
- ▶ Accuracy
 - $\pm 1.0\%$ of Full Scale
- ▶ Scale Range
 - 0.4 MPa ~ 3.5 MPa, - 0.1 + 0.6 ~ 2 MPa
 - (※ 1 MPa = 10.19716 kgf/cm²)
- ▶ Working Pressure
 - Static pressure : 75% of Full Scale
 - Fluctuating pressure : 60% of Full Scale
- ▶ Working Temperature
 - Ambient : - 20 ~ 65 °C
 - Fluid : - 20 ~ 80 °C

Product Specification

<p>+ Case</p> <ul style="list-style-type: none"> · STS 304 	<p>+ Type</p> <ul style="list-style-type: none"> · A-Type (Rimless type) · B-Type (Surface type) · D-Type (Flush mounting type) · BD-Type (Panel attachment type) 	<p>+ Element</p> <ul style="list-style-type: none"> · Brass · C type bourdon tube
<p>+ Cover</p> <ul style="list-style-type: none"> · STS 304 	<p>+ Pointer</p> <ul style="list-style-type: none"> · Aluminum · Black (high), red (low) 	<p>+ Movement</p> <ul style="list-style-type: none"> · Brass
<p>+ Connection</p> <ul style="list-style-type: none"> · STS 316 · PF, PT, NPT ↔ 1/4, 3/8, 1/2 (Duplex) 	<p>+ Dial</p> <ul style="list-style-type: none"> · Aluminum · White color coating · Black (MPa), red (bar) gradations and characters 	<p>+ Option</p> <ul style="list-style-type: none"> · Accessories
<p>+ Window</p> <ul style="list-style-type: none"> · Tempered safety glass, Laminated safety glass 		

Pressure Gauge

Differential Pressure Gauge & Switch

Accessories of Pressure Gauge

Thermometer & Thermometer Switch

Thermocouple & RTD

Thermowell

Transmitter

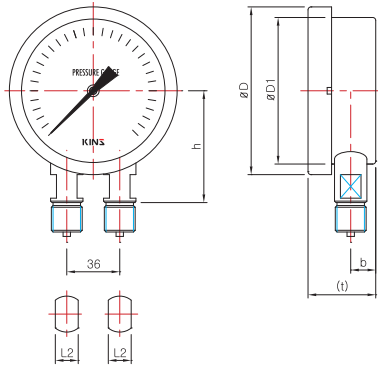
Indicator etc.

Technical data

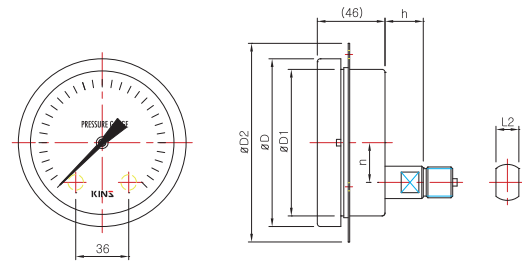
Duplex Pressure Gauge

Model No. SS-3090 Series

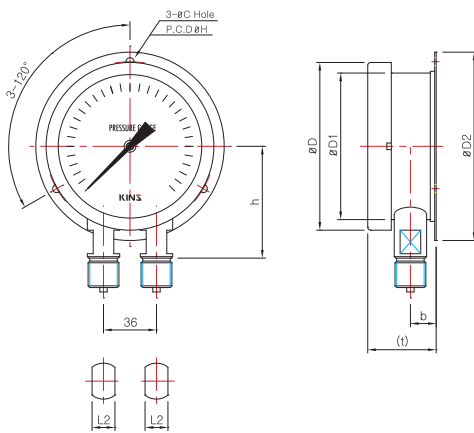
Model No. | SS-3091 (100mm)
A-Type (Rimless type)



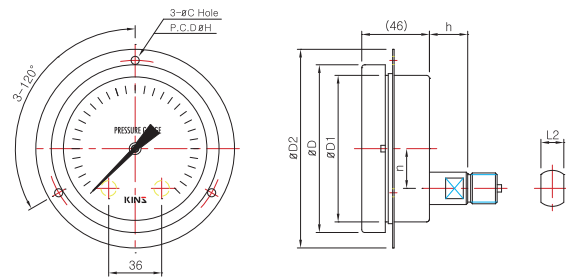
Model No. | SS-3093 (100mm)
D-Type (Flush mounting type)



Model No. | SS-3092 (100mm)
B-Type (Surface type)



Model No. | SS-3094 (100mm)
BD-Type (Panel attachment type)



Dimensions (mm)

	Model No.	Conn'n (d)	ØD	ØD1	ØD2	b	n	t	L2	h	ØC	ØH
100mm	SS-3091 & SS-3092	NPT & PT, PF 1/4	114	100	128	17	-	(46)	17	(76)	5.5	115
		NPT & PT, PF 3/8										
		NPT & PT, PF 1/2										
100mm	SS-3093 & SS-3094	NPT & PT, PF 1/4	114	100	135	-	27	(46)	17	(26)	5.5	120
		NPT & PT, PF 3/8										
		NPT & PT, PF 1/2										

*()The measurement in the blanket is approximate.

Pressure Gauge

Differential Pressure Gauge & Switch

Accessories of Pressure Gauge

Thermometer & Thermometer Switch

Thermocouple & RTD

Thermowell

Transmitter

Indicator, etc.

Technical data