

Pressure Gauge (with Micro Contact)

Model No. **SS-3060 Series**

DAEJIN



SS-3062 100mm

Summary

This equipment is a contact pressure gauge which has a micro switch inside the equipment. It produces an electric signal of ON, OFF by working the switch. It shows the information by sending electric signal to buzzer, bell, pilot lamp, etc.

Safety Management

- Be sure to install a protecting device where exist abrupt change of pressure, vibration and pulsation.
- Do not give impact during the transportation, installation and usage.
- Be sure to install pressure gauge to be horizontal and vertical.

Purpose of Use

- Various pressure control, information system
- Oil pressure press
- Special fluid line for industrial use, etc.

Production Specification

- ▶ **Diameter**
 - 100 mm
- ▶ **Accuracy**
 - Grade : $\pm 1.5\%$ of Full Scale
 - Dead Band : $\pm 4.0\%$ of Full Scale
- ▶ **Scale Range**
 - - 0.1 MPa ~ 2 MPa,
 - - 0.1 MPa ~ 0 MPa, 0 ~ 35 MPa
 - ($\times 1 \text{ MPa} = 10.19716 \text{ kgf/cm}^2$)
- ▶ **Working Pressure**
 - Static pressure : 75% of Full Scale
 - Fluctuating pressure : 60% of Full Scale
- ▶ **Working Temperature**
 - Ambient : $-20 \sim 65 \text{ }^\circ\text{C}$
 - Fluid : $-20 \sim 80 \text{ }^\circ\text{C}$

Product Specification

- | | | |
|---|--|---|
| <ul style="list-style-type: none"> + Case <ul style="list-style-type: none"> · Aluminum(Hammer tone coating) + Cover <ul style="list-style-type: none"> · Aluminum(Hammer tone coating) + Connection <ul style="list-style-type: none"> · STS 316 · PF, PT, NPT ↔ 3/8, 1/2 + Window <ul style="list-style-type: none"> · Tempered safety glass, · Laminated safety glass + Type <ul style="list-style-type: none"> · B-Type (Surface type) · BD-Type (Panel attachment type) | <ul style="list-style-type: none"> + Pointer <ul style="list-style-type: none"> · Aluminum · Black coating + Dial <ul style="list-style-type: none"> · Aluminum · White color coating · Black gradation and characters + Contact rating <ul style="list-style-type: none"> · AC 125V 5A / 250V 3A · DC 30V 4A / 125V 0.4A / 250V 0.2A + Element <ul style="list-style-type: none"> · STS 304, STS 316 · C type bourdon tube | <ul style="list-style-type: none"> + Movement <ul style="list-style-type: none"> · STS 304 + Contact Form <ul style="list-style-type: none"> · Micro Contact Type · SPDT * 1, SPDT * 2, DPDT * 1 (High, Low, High & High High & Low, Low & Low) + Option <ul style="list-style-type: none"> · Bracket · Accessories |
|---|--|---|

Pressure Gauge

Differential Pressure Gauge & Switch

Accessories of Pressure Gauge

Thermometer & Thermometer Switch

Thermocouple & R.T.D

Thermowell

Transmitter

Indicator etc.

Technical data

Pressure Gauge (with Micro Contact)

Model No. SS-3060 Series

Pressure Gauge

Differential Pressure Gauge & Switch

Accessories of Pressure Gauge

Thermometer & Thermometer Switch

Thermocouple & R.T.D

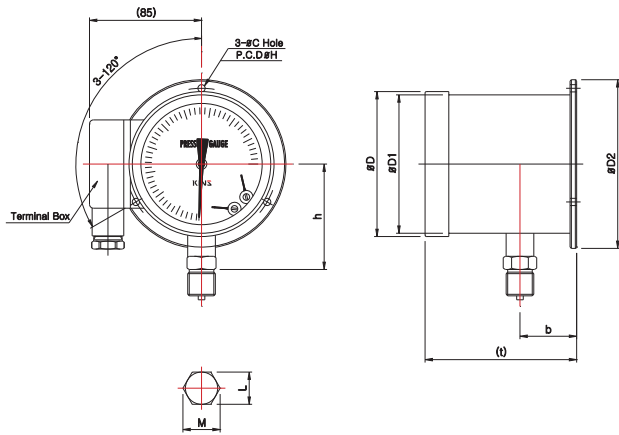
Thermowell

Transmitter

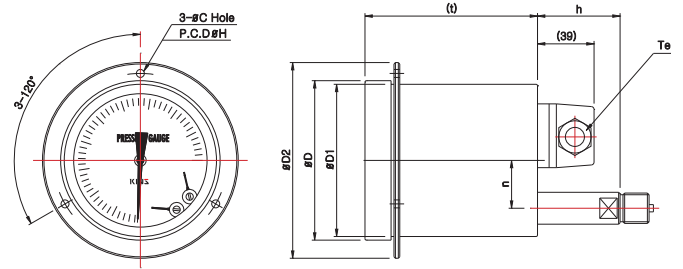
Indicator, etc.

Technical data

Model No. | SS-3062 (100mm)
B-Type (Surface type / Bottom connection)



Model No. | SS-3064 (100mm)
B-Type (Surface type / Lower back connection)



Dimensions (mm)

	Model No.	Conn'n (d)	ØD	ØD1	ØD2	b	n	t	L2	M	h	ØC	ØH
100mm	SS-3062	NPT & PT, PF 3/8	110	105	128	43	-	(115)	22	25.4	(80)	5.5	115
		NPT & PT, PF 1/2											
	SS-3064	NPT & PT, PF 3/8	110	105	135	-	33	(115)	17	-	(57)	5.5	120
		NPT & PT, PF 1/2											
150mm	SS-3062	NPT & PT, PF 3/8	170	156	190	43	-	(115)	22	25.4	(128)	5.5	174
		NPT & PT, PF 1/2											
	SS-3064	NPT & PT, PF 3/8	170	156	200	-	33	(115)	17	-	(57)	5.5	185
		NPT & PT, PF 1/2											

*()The measurement in the blanket is approximate.