

Pressure Gauge (with Electric Contact)

Model No. **SS-3025~8 Series**

DAEQIN

Ordering Information

SS-3025 x 100mm x 0 ~ 10MPa x 2P x L,H x PF3/8

Connection :

- PF1/4
- NPT&PT1/4
- PF3/8
- NPT&PT3/8
- PF1/2
- NPT&PT1/2

Contacts Type :

- L : Low Contact (SPST*1)
- H : High Contact(SPST*1)
- L,H : Low & High Contact(SPST *2)
- L,L : Low & Low Contact(SPST*2)
- H,H : High & High Contact(SPST*2)

Number of Contacts :

- 1P : SPST *1
- 2P : SPST *2

Range :

- 100mm : -0,1 ~ 2 MPa, -0,1 ~ 0MPa, 0 ~ 100MPa
- 150mm : -0,1 ~ 2 MPa, -0,1 ~ 0MPa, 0 ~ 100MPa

Nominal Diameter & Accuracy :

- 100mm (Accuracy: $\pm 1,0\%$ of Full Scale)
- 150mm (Accuracy: $\pm 1,0\%$ of Full Scale)

Base Model & Mounting Type :

- SS-3025(A:Rimless type) : Bottom Connection, Direct
- SS-3026(B:Surface type) : Bottom Connection, Surface
- SS-3027(D:Flush mounting type) : Lower Back Connection, Direct
- SS-3028(BD:Panel attachment type) : Lower Back Connection, Flush

Pressure Gauge

Differential Pressure Gauge & Switch

Accessories of Pressure Gauge

Thermometer & Thermometer Switch

Thermocouple & R.T.D

Thermowell

Transmitter

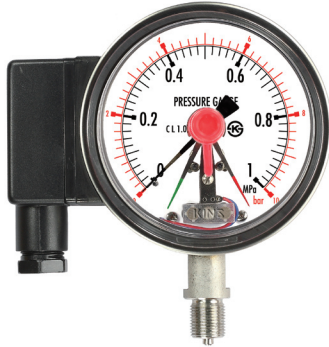
Indicator etc.

Technical data

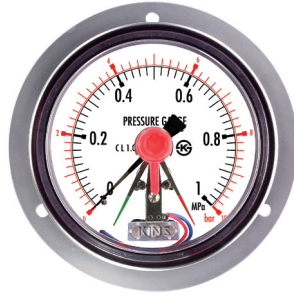
Pressure Gauge (with Electric Contact)

Model No. **SS-3025~8 Series**

DAEJIN



SS-3025



SS-3028

Summary

This gauge has a contact device inside the indicator. Not only indicating of pressure but also it is able to control and report by sending a electric signal in a built-in contact device which was already set up.

Safety Management

- Be sure to install a protecting device where exist abrupt change of pressure, vibration and pulsation.
- Do not give impact during the transportation, installation and usage.
- Be sure to install pressure gauge to be horizontal and vertical.

Purpose of Use

- Various pressure controlling, warning system
- Oil pressure press
- Special fluid line for industrial use, etc.

Production Specification

- ▶ **Diameter**
 - 100, 150 mm
- ▶ **Accuracy**
 - $\pm 1.0\%$ of Full Scale
- ▶ **Working Pressure**
 - Static pressure : 75% of Full Scale
 - Fluctuating pressure : 60% of Full Scale
- ▶ **Working Temperature**
 - Ambient : $-20 \sim 65$ °C
 - Fluid : $-20 \sim 80$ °C

▶ Range

| | |
|-------|------------------------------|
| 100mm | - 0.1 ~ 2 MPa |
| 150mm | - 0.1 ~ 0 MPa 0 ~ 100 MPa |

Product Specification

- | | | |
|--|--|---|
| <ul style="list-style-type: none"> + Case <ul style="list-style-type: none"> · STS 304 + Cover <ul style="list-style-type: none"> · STS 304 · Slip-on-Fit + Connection <ul style="list-style-type: none"> · STS 316 · PF, PT, NPT ↔ 1/4, 3/8, 1/2 + Window <ul style="list-style-type: none"> · Poly Carbonate + Type <ul style="list-style-type: none"> · A-Type (Rimless type) · B-Type (Surface type) · D-Type (Flush mounting type) · BD-Type (Panel attachment type) | <ul style="list-style-type: none"> + Pointer <ul style="list-style-type: none"> · Phosphor bronze · Black coating · Contact indicator High ↔ Red · Contact indicator Low ↔ Green + Dial <ul style="list-style-type: none"> · Aluminum · White color coating · Black (MPa), red (bar) gradations and characters + Contact rating <ul style="list-style-type: none"> · AC 125 0.5A / 250V 0.25A · DC 24V 0.25A + Movement <ul style="list-style-type: none"> · STS 304 | <ul style="list-style-type: none"> + Element <ul style="list-style-type: none"> · STS 304, STS 316 · C type bourdon tube, helical type bourdon tube + Contact Form <ul style="list-style-type: none"> · SPST * 1, SPST * 2 · High, low 2 contact (high or Low, High & High High & Low, Low & Low) + Option <ul style="list-style-type: none"> · Bracket · Throttles · Accessories |
|--|--|---|

Pressure Gauge

Differential Pressure Gauge & Switch

Accessories of Pressure Gauge

Thermometer & Thermometer Switch

Thermocouple & RTD

Thermowell

Transmitter

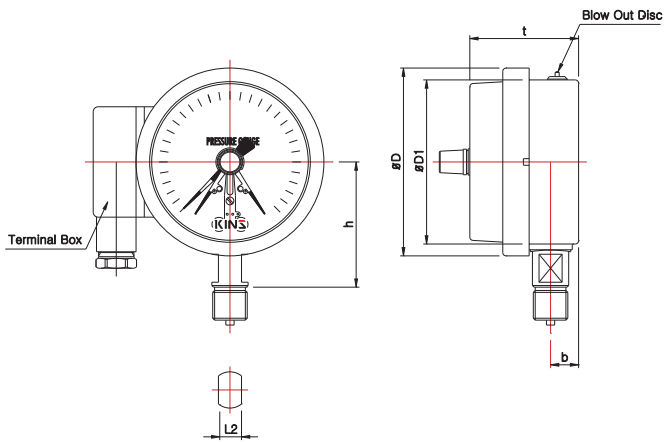
Indicator etc.

Technical data

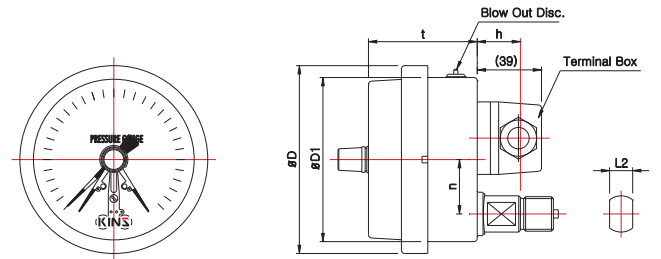
Pressure Gauge (with Electric Contact)

Model No. SS-3025~8 Series

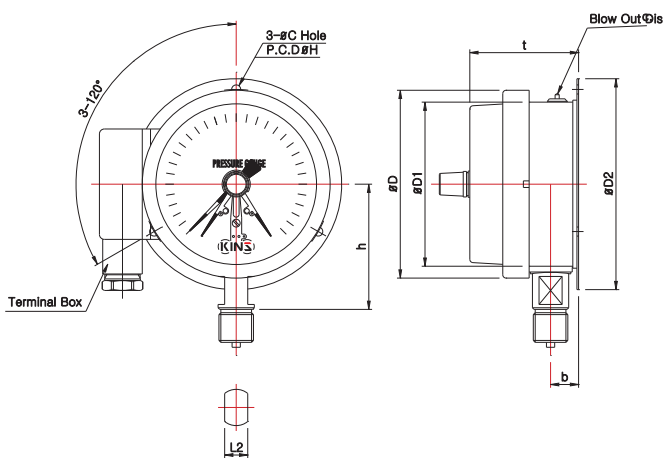
Model No. | SS-3025
A Type (100, 150mm)



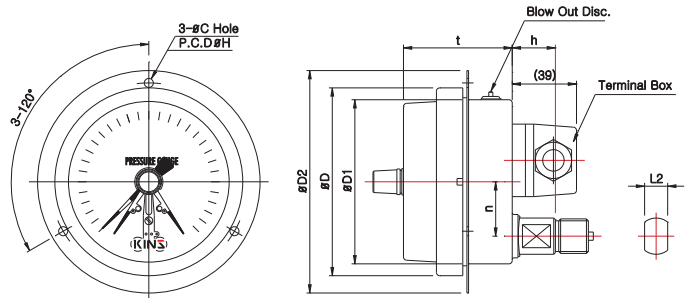
Model No. | SS-3027
D Type (100, 150mm)



Model No. | SS-3026
B Type (100, 150mm)



Model No. | SS-3028
BD Type (100, 150mm)



Pressure Gauge

Differential Pressure Gauge & Switch

Accessories of Pressure Gauge

Thermometer & Thermometer Switch

Thermocouple & R.T.D

Thermowell

Transmitter

Indicator etc.

Technical data

Dimensions (mm)

| | Model No. | Conn'n (d) | ØD | ØD1 | ØD2 | b | n | t | L2 | h | ØC | ØH |
|-------|-------------------|------------------|-----|-----|-----|----|----|------|----|-------|-----|-----|
| 100mm | SS-3025 & SS-3026 | NPT & PT, PF 1/4 | 114 | 100 | 128 | 17 | - | (66) | 17 | (76) | 5.5 | 115 |
| | | NPT & PT, PF 3/8 | | | | | | | | | | |
| | | NPT & PT, PF 1/2 | | | | | | | | | | |
| | SS-3027 & SS-3028 | NPT & PT, PF 1/4 | 114 | 100 | 128 | - | 33 | (66) | 17 | (26) | 5.5 | 115 |
| | | NPT & PT, PF 3/8 | | | | | | | | | | |
| | | NPT & PT, PF 1/2 | | | | | | | | | | |
| 150mm | SS-3025 & SS-3026 | NPT & PT, PF 1/4 | 168 | 152 | 188 | 17 | - | (66) | 22 | (100) | 5.5 | 173 |
| | | NPT & PT, PF 3/8 | | | | | | | | | | |
| | | NPT & PT, PF 1/2 | | | | | | | | | | |
| | SS-3027 & SS-3028 | NPT & PT, PF 1/4 | 168 | 152 | 188 | - | 33 | (66) | 22 | (26) | 5.5 | 173 |
| | | NPT & PT, PF 3/8 | | | | | | | | | | |
| | | NPT & PT, PF 1/2 | | | | | | | | | | |

*()The measurement in the blanket is approximate.

Pressure Gauge

Differential Pressure Gauge & Switch

Accessories of Pressure Gauge

Thermometer & Thermometer Switch

Thermocouple & R.T.D

Thermowell

Transmitter

Indicator etc.

Technical data