

Special Pressure Gauge

Model No. **SS-3020 Series**

DAEQIN

Ordering Information

SS-3021 × 100mm × 0~1MPa × PF3/8

CONNECTION :

- UNF7/16 (Not available 40mm, 50mm, 150mm, 200mm)
- PF1/8 (Not available 150mm, 200mm)
- NPT&PT1/8 (Not available 150mm, 200mm)
- PF1/4 (Not available 150mm, 200mm, 40mm)
- NPT&PT1/4 (Not available 150mm, 200mm, 40mm)
- PF3/8 (Not available 60mm, 40mm, 50mm)
- NPT&PT3/8 (Not available 60mm, 40mm, 50mm)
- PF1/2 (Not available 60mm, 75mm, 40mm, 50mm)
- NPT&PT1/2 (Not available 60mm, 75mm, 40mm, 50mm)

RANGE :

- 40mm : 0,2 ~ 25MPa
- 50mm : 0,2 ~ 25MPa
- 60mm : -0,1 ~ 2MPa, -0,1 ~ 0MPa, 0 ~ 35MPa
- 75mm : -0,1 ~ 2MPa, -0,1 ~ 0MPa, 0 ~ 35MPa
- 100mm : -0,1 ~ 2MPa, -0,1 ~ 0MPa, 0 ~ 200MPa
- 150mm : -0,1 ~ 2MPa, -0,1 ~ 0MPa, 0 ~ 200MPa
- 200mm : -0,1 ~ 2MPa, -0,1 ~ 0MPa, 0 ~ 100MPa

NOMINAL DIAMETER & ACCURACY :

- 40mm (Accuracy: ±3,0% of Full Scale)
- 50mm (Accuracy: ±1,5% of Full Scale)
- 60mm (Accuracy: ±1,5% of Full Scale)
- 75mm (Accuracy: ±1,5% of Full Scale)
- 100mm (Accuracy: ±1,0% of Full Scale)
- 150mm (Accuracy: ±1,0% of Full Scale)
- 200mm (Accuracy: ±1,0% of Full Scale)

BASE MODEL & MOUNTING TYPE :

- SS-3021(A:Rimless type) : Bottom Connection, Direct
- SS-3022(B:Surface type) : Bottom Connection, Surface
- SS-3023(D:Flush mounting type) : Lower Back Connection, Direct
- SS-3024(BD:Panel attachment type) : Lower Back Connection, Flush
 - ▶ 200mm : Only available with SS-3022, SS-3024

Pressure Gauge

Differential Pressure Gauge & Switch

Accessories of Pressure Gauge

Thermometer & Thermometer Switch

Thermocouple & R.T.D

Thermowell

Transmitter

Indicator etc.

Technical data

Special Pressure Gauge

Model No. **SS-3020 Series**

DAEJIN



SS-3021



SS-3024

Summary

This gauge has high corrosive resistance and it is properly built to measure fluid pressure which can withstand outside condition change. It has high accuracy because its connecting part is made of stainless steel.

Safety Management

- Be sure to install a protecting device where exist abrupt change of pressure, vibration and pulsation.
- Do not give impact during the transportation, installation and usage.
- Be sure to install pressure gauge to be horizontal and vertical.

Purpose of Use

- Various plants such as petrochemistry, etc. (corrosive atmosphere, steam, place where exists a lot of dust, outdoor)
- Special fluid line for industrial use.

Production Specification

- ▶ **Diameter**
 - 40, 50, 60, 75, 100, 150 mm
- ▶ **Accuracy**
 - 40mm : ±3% of Full Scale
 - 50mm이상 : ±1.5% of Full Scale
 - 100, 150mm : ±1.0% of Full Scale
- ▶ **Working Pressure**
 - Static pressure : 75% of Full Scale
 - Fluctuating pressure : 60% of Full Scale
- ▶ **Working Temperature**
 - Ambient : - 20 ~ 65 °C
 - Fluid : - 20 ~ 80 °C
- ▶ **Degree of Protection**
 - IP67

▶ Range

40mm	0.2 ~ 25 MPa
50mm	
60mm	- 0.1 ~ 2 MPa
75mm	- 0.1 ~ 0 MPa 0 ~ 35 MPa
100mm	- 0.1 ~ 2 MPa
150mm	- 0.1 ~ 0 MPa 0 ~ 200 MPa

Product Specification

- | | | |
|--|---|--|
| <ul style="list-style-type: none"> + Case <ul style="list-style-type: none"> · STS 304 + Cover <ul style="list-style-type: none"> · STS 304 · Slip-on-Fit + Connection <ul style="list-style-type: none"> · STS 316 · PF, PT, NPT ↔ 1/4, 3/8, 1/2 · UNF 7/16 + Window <ul style="list-style-type: none"> · Tempered safety glass, · Laminated safety glass | <ul style="list-style-type: none"> + Type <ul style="list-style-type: none"> · A-Type (Rimless type) · B-Type (Surface type) · D-Type (Flush mounting type) · BD-Type (Panel attachment type) + Pointer <ul style="list-style-type: none"> · Aluminum · Black coating + Dial <ul style="list-style-type: none"> · Aluminum · White color coating · Black (MPa), red (bar) gradations and characters | <ul style="list-style-type: none"> + Element <ul style="list-style-type: none"> · STS 304, STS 316 · C type bourdon tube, helical type bourdon tube + Movement <ul style="list-style-type: none"> · STS 304 + Option <ul style="list-style-type: none"> · Blow out protection on the Top Rubber Disc · Bracket · Throttles · Accessories |
|--|---|--|

Pressure Gauge

Differential Pressure Gauge & Switch

Accessories of Pressure Gauge

Thermometer & Thermometer Switch

Thermocouple & RTD

Thermowell

Transmitter

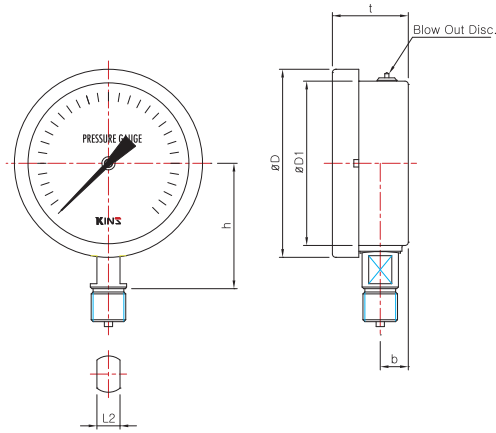
Indicator etc.

Technical data

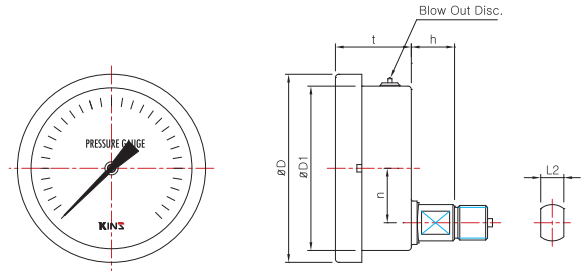
Special Pressure Gauge

Model No. SS-3020 Series

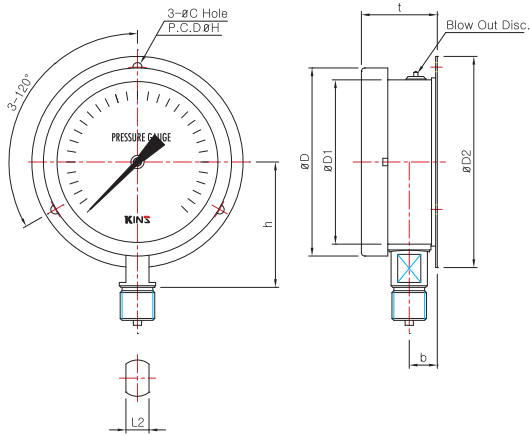
Model No. | SS-3021
A Type (60, 75, 100, 150mm)



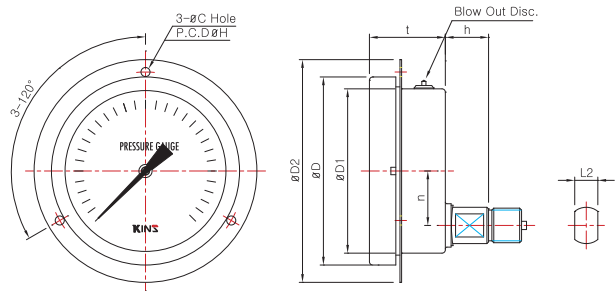
Model No. | SS-3023
D Type (60, 75, 100, 150mm)



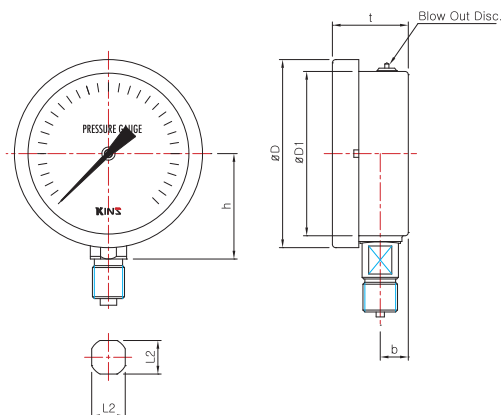
Model No. | SS-3022
B Type (60, 75, 100, 150mm)



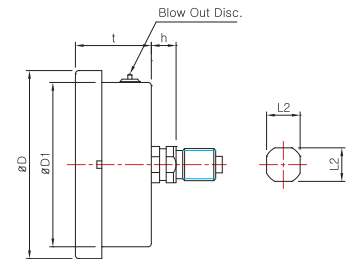
Model No. | SS-3024
BD Type (60, 75, 100, 150mm)



Model No. | SS-3021
A Type (40, 50mm)



Model No. | SS-3023
D Type (40, 50mm)



Pressure Gauge

Differential Pressure Gauge & Switch

Accessories of Pressure Gauge

Thermometer & Thermometer Switch

Thermocouple & R.T.D

Thermowell

Transmitter

Indicator etc.

Technical data

Dimensions (mm)

	Model No.	Conn'n (d)	ØD	ØD1	ØD2	b	n	t	L2	h	ØC	ØH
40mm	SS-3021	NPT & PT, PF 1/8	46.2	41	-	7.5	-	(26.5)	12	(26.5)	-	-
	SS-3023	NPT & PT, PF 1/8	46.2	41	-	-	-	(26.5)	12	(7.5)	-	-
50mm	SS-3021	NPT & PT, PF 1/8	58.2	51.7	-	9.5	-	(30)	14	(35.5)	-	-
		NPT & PT, PF 1/4										
	SS-3023	NPT & PT, PF 1/8	58.2	51.7	-	-	-	(30)	14	(7.5)	-	-
		NPT & PT, PF 1/4										
60mm	SS-3021 & SS-3022	UNF 7/16	72	64	84	12	-	(39)	12	(48)	4.5	72
		NPT & PT, PF 1/8										
		NPT & PT, PF 1/4										
	SS-3023 & SS-3024	UNF 7/16	72	64	90	-	17	(39)	12	(20)	4.5	81
		NPT & PT, PF 1/8										
		NPT & PT, PF 1/4										
75mm	SS-3021 & SS-3022	UNF 7/16	87	77	100	14	-	(40)	14	(54)	4.5	88
		NPT & PT, PF 1/4										
		NPT & PT, PF 3/8										
	SS-3023 & SS-3024	UNF 7/16	87	77	107	-	22	(40)	14	(17)	4.5	97
		NPT & PT, PF 1/4										
		NPT & PT, PF 3/8										
100mm	SS-3021 & SS-3022	UNF 7/16	114	100	128	17	-	(46)	17	(76)	5.5	115
		NPT & PT, PF 1/4										
		NPT & PT, PF 3/8										
		NPT & PT, PF 1/2										
	SS-3023 & SS-3024	UNF 7/16	114	100	135	-	33	(46)	17	(26)	5.5	120
		NPT & PT, PF 1/4										
		NPT & PT, PF 3/8										
		NPT & PT, PF 1/2										
150mm	SS-3021 & SS-3022	UNF 7/16	168	152	188	17	-	(50)	17	(100)	5.5	174
		NPT & PT, PF 1/4										
		NPT & PT, PF 3/8										
		NPT & PT, PF 1/2										
	SS-3023 & SS-3024	UNF 7/16	168	152	188	-	33	(50)	17	(26)	5.5	174
		NPT & PT, PF 1/4										
		NPT & PT, PF 3/8										
		NPT & PT, PF 1/2										

*()The measurement in the blanket is approximate.

Pressure Gauge

Differential Pressure Gauge & Switch

Accessories of Pressure Gauge

Thermometer & Thermometer Switch

Thermocouple & R.T.D

Thermowell

Transmitter

Indicator etc.

Technical data