

# Indicating type differential pressure switch

## Model: P621, P622

Spec. sheet no. PD06-10

### Service intended

P621 to P622 series are designed to measure differential pressure from 30 kPa to 1.5 MPa at Max. working pressure up to 5 MPa. P621 to P622 series are designed to control and alarm for differential pressure, providing right time to replace air and sludge filter during the process.

### Nominal diameter

150 mm

### Accuracy

±1.0% of full scale

±1.5 % or ±1.6 % of full scale

### Scale range (MPa, kPa, bar)

0~30 kPa to 0~50 kPa

0~0.1 MPa to 0~1.5 MPa

### Max. Working pressure (Static pressure)

5 MPa

### Working temperature

Ambient : -20 ~ 65°C

Fluid : Max. 100°C

### Degree of protection

EN60529/IEC529/IP56

### Temperature effect

Accuracy at temperature above and below the reference temperature (20°C) will be effected by approximately ±0.5% per 10°C of full scale



## Standard features

### Pressure connection

Stainless steel (316SS)

### Element

Single Bellows

Stainless steel (316L SS)

### Case

Black finished aluminium

### Cover

Black finished aluminium

Screwed type

### Window

Glass

### Dial

White aluminium with black graduations

### Conduit connection

M20x1.5P

### Contact

Contact rating: AC 250 V 3 A / 125 V 5 A

DC 250 V 0.2 A / 125 V 0.4 A / 30 V 4 A

Dielectric strength: AC 500 V /

MIN Type: Micro contact, One and two SPDT

### Pointer

Black painted aluminium alloy

### Process connection

¼" NPT(F)

½" NPT(F) at 3-way and 5-way manifold valve

### Standard accessories

Mounting bracket for 2" pipe

mounting with silver gray finished steel

### Optional

■ Remote seal

■ Mounting bracket with 316SS for 2" pipe mounting

■ 3-way manifold valve (316SS, Monel)

■ 5-way manifold valve (316SS, Monel)

**WISE**<sup>®</sup>

**1. Base model**

- P621** Indicating type differential pressure switch (Single contact)  
**P622** Indicating type differential pressure switch (Dual contact)

**2. Nominal diameter (mm)**

- 6** 150

**3. Type of mounting (Refer to mounting type & Dimension)**

- D** Bottom connection, mounting bracket for 2" pipe

**4. Accuracy**

- 3** ±1.0% of full scale  
**4** ±1.5 % or ±1.6 % of full scale

**5. Process connection**

- C** ¼" NPT(F)  
**E** ½" NPT(F) (only at 3-way and 5-way manifold valve)

**6. Mounting bracket**

- D** Standard bracket  
**E** 304SS mounting bracket  
**F** 316SS mounting bracket  
**W** Wall mounting bracket (316SS)

**7. Unit**

- H** bar  
**I** MPa  
**J** kPa  
**S** mbar

**8. Range**

- 041** 0~0.1 MPa  
**042** 0~0.2 MPa  
**043** 0~0.3 MPa  
**044** 0~0.4 MPa  
**045** 0~0.6 MPa  
**047** 0~1 MPa  
**050** 0~1.5 MPa  
**518** 0~30 kPa, not available with remote seal type  
**040** 0~50 kPa

**9. Conduit connection**

- 0** None (STD M20X1.5P)  
**2** NPT ½" (F)  
**4** NPT ¾" (F)  
**Z** Other

**10. Options**

- 0** None  
**1** Accessories (3-way manifold valve)  
**2** Accessories (5-way manifold valve)

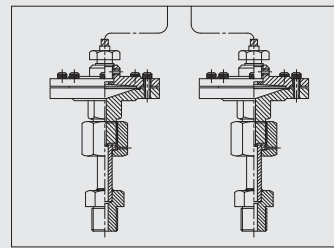
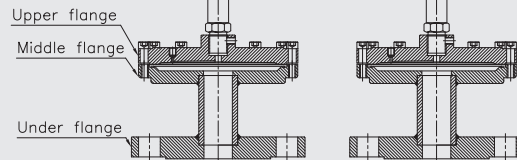
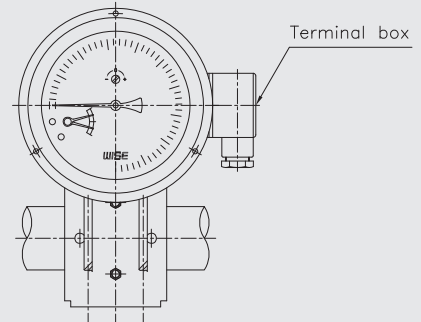
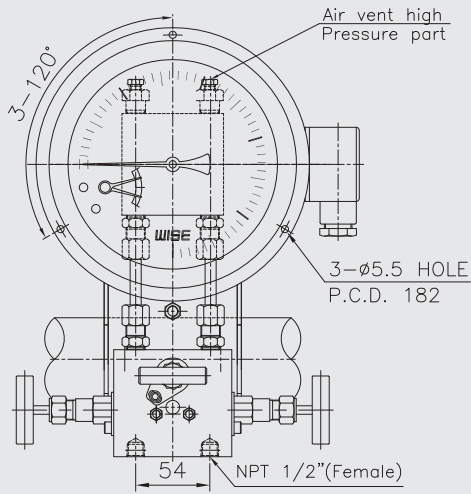
**Sample ordering code**

1	2	3	4	5	6	7	8	9	10
P621	6	D	4	E	D	I	047	2	2

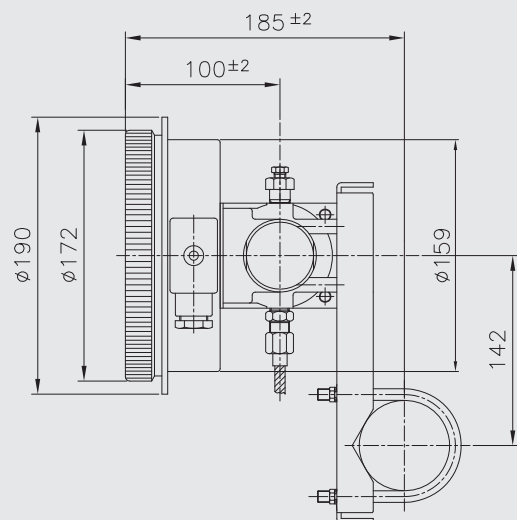
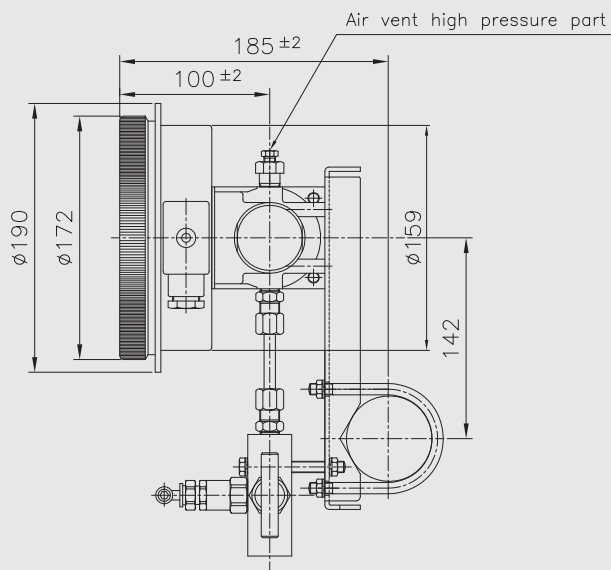
# P621, P622 : Type of mounting

Code : P621, P622

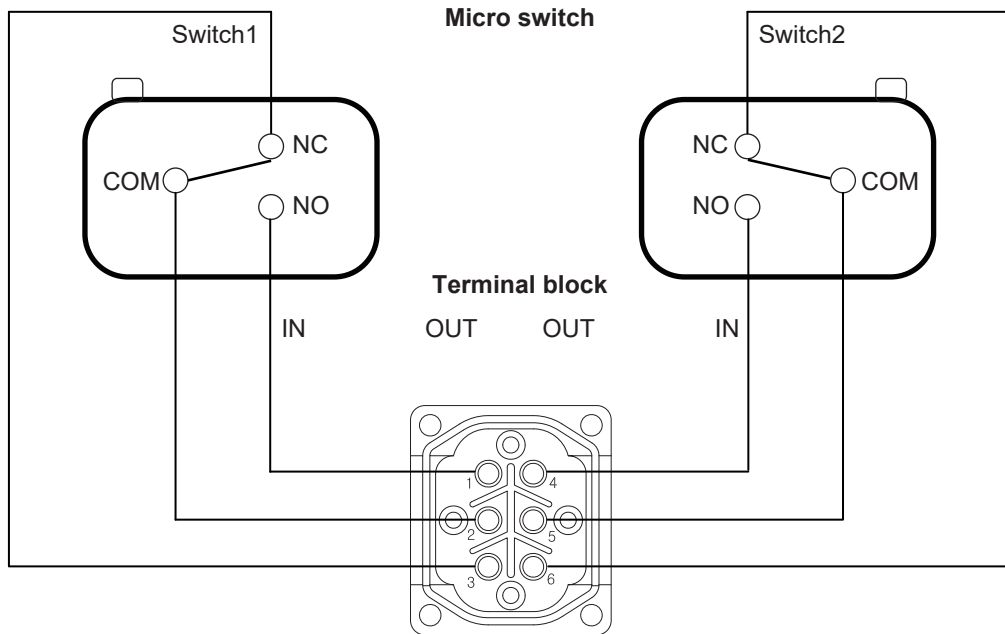
Code : P621, P622(Remote seal)



Static pressure : 5 MPa



## Terminal block arrangement



	NO	COM	NC
Switch 1	1	2	3
	NC	COM	NO
Switch 2	4	5	6

### 1. High alarm

- ① Normal open
- ② Common
- ③ Normal close

### 2. High and low alarm

#### High alarm

- ① Normal open
- ② Common
- ③ Normal close

#### Low alarm

- ④ Normal open
- ⑤ Common
- ⑥ Normal close

### 3. Low alarm

- ① Normal open
- ② Common
- ③ Normal close

### 4. Two high alarm

#### No.1 High alarm

- ① Normal open
- ② Common
- ③ Normal close

#### No.2 High alarm

- ④ Normal close
- ⑤ Common
- ⑥ Normal open

### 5. Two low alarm

#### No.2 Low alarm

- ① Normal open
- ② Common
- ③ Normal close

#### No.1 Low alarm

- ④ Normal open
- ⑤ Common
- ⑥ Normal close

