

Differential Pressure Gauge (with Switch)

Model No. **MAGNETIC 2010 Series**

DAEQIN



MAGNETIC 2010

Summary

This gauge has a structure like MAGNETIC 2000 MODEL with contact signal. Therefore, it produces a warning signal by sending it to buzzer, bell, polot-lamp

Safety Management

- Be sure to install a protecting device where exist abrupt change of pressure, vibration and pulsation.
- Do not give impact during the transportation, installation and usage.
- Be sure to install pressure gauge to be horizontal and vertical.
- Do not use it over than the limitation of switch capacity.

Purpose of Use

- Indicating, warning and controlling of differential pressure of air filter line such as dust collector, etc.
- Indicating, warning and controlling of differential pressure of differential pressure application line.
- Indicating, warning and controlling of extremely low pressure, vacuum and compound pressure line.

Production Specification

- ▶ Diameter
 - 100mm
- ▶ Accuracy
 - $\pm 2.0\%$ of Full Scale
- ▶ Scale Range
 - $-0.25 \sim 0.25 \text{ kPa} \sim -10 \sim 10 \text{ kPa}$, $0 \sim 50 \text{ kPa}$
($\approx 1 \text{ kPa} = 101.9716 \text{ mmH}_2\text{O}$)
- ▶ Working Pressure
 - Static pressure : 75% of Full Scale
 - Fluctuating pressure : 60% of Full Scale
- ▶ Working Temperature
 - Ambient : $-10 \sim 60 \text{ }^\circ\text{C}$

Product Specification

<p>+ Case</p> <ul style="list-style-type: none"> · Aluminum(Hammer tone coating) 	<p>+ Window</p> <ul style="list-style-type: none"> · Poly Carbonate 	<p>+ Element</p> <ul style="list-style-type: none"> · Silicon Rubber, NBR
<p>+ Cover</p> <ul style="list-style-type: none"> · Aluminum(Hammer tone coating) 	<p>+ Pointer</p> <ul style="list-style-type: none"> · Aluminum · Pointer : Red color, Green color 	<p>+ Base Pressure</p> <ul style="list-style-type: none"> · 0.1 MPa
<p>+ Connection</p> <ul style="list-style-type: none"> · PT \leftrightarrow 1/8(Female) 	<p>+ Dial</p> <ul style="list-style-type: none"> · Aluminum · White coating · Black gradation and characters 	<p>+ Switch</p> <ul style="list-style-type: none"> · Type : 2-SPDT (2 contact) · Capacity of switch : 220V AC 10A · Set up method : exterior · Dead band : below 4 % of the total range
<p>+ Type</p> <ul style="list-style-type: none"> · BD-Type (Panel attachment type-Bracket) 		

Pressure Gauge

Differential Pressure Gauge & Switch

Accessories of Pressure Gauge

Thermometer & Thermometer Switch

Thermocouple & RTD

Thermowell

Transmitter

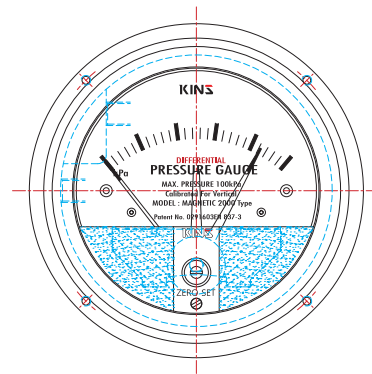
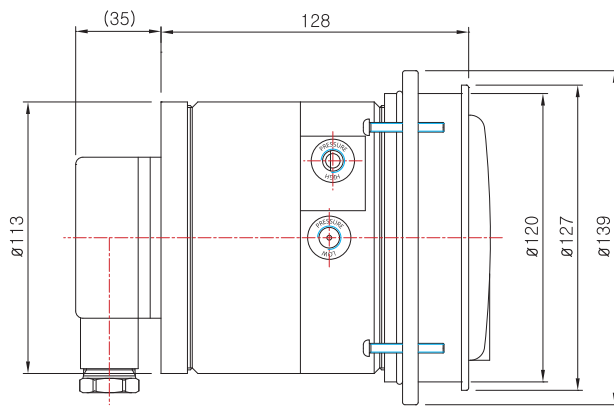
Indicator etc.

Technical data

Differential Pressure Gauge (with Switch)

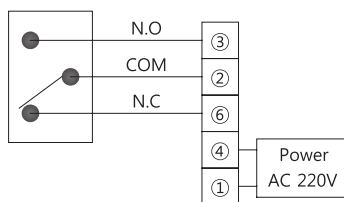
Model No. **MAGNETIC 2010 Series**

Model No. | **M- 2010**
Bracket Type

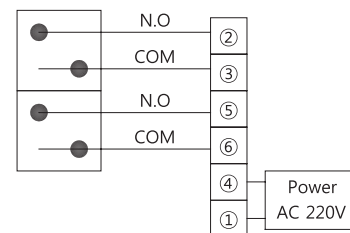


Connection diagram

1-Point



2-Point



Pressure Gauge

Differential Pressure Gauge & Switch

Accessories of Pressure Gauge

Thermometer & Thermometer Switch

Thermocouple & R.T.D

Thermowell

Transmitter

Indicator etc.

Technical data