

Explosion-Protected Thermometer Indicating Switch

Model No. KTD-22 Series

DAEJIN



KTD-22

[Explosion-Protected of Protection]

Ex d IIC T4

Summary

As the driving power is strong, the indicator indicates certainly and it is widely used for industrial use because its transmission speed of temperature is very fast.

This instrument has a micro switch that produces a contact signal when there is an increase or decrease of temperature by controlling the setting temperature outside.

Safety Management

- Install a thermowell when there exist high voltage, slurry or when measuring the temperature of fluid with high corrosiveness.
- Do not give impact during transportation, installation and usage.
- Be sure to install the thermometer to be horizontal and vertical.
- Avoid the place where exist a lot of vibration.
- Do not use over the switch capacity (Under AC220V 5A)
- Use the interior and exterior of earth terminal.

Purpose of Use

- Indication, warning and controlling of the usage of pipe in the region of explosion.
- Indication, warning and controlling of the temperature at LNG, LPG plant
- Indication, warning and controlling of the explosive chemical plant.
- Instructing, warning, controlling, etc. of the temperature of pressure vessel

Production Specification

- ▶ Accuracy
 - ±2.0% of Full Scale
- ▶ Scale Range
 - -30°C ~ 650°C
- ▶ Common Temperature
 - 75% of Full Scale
- ▶ Explosion-Protected of Protection
 - Ex d IIC T4

Product Specification

| | | |
|--|---|--|
| <ul style="list-style-type: none"> + Case <ul style="list-style-type: none"> · Aluminum(Hammer tone coating) · Explosion-protected type(Ex d IIC T4) + Cover <ul style="list-style-type: none"> · Aluminum(Hammer tone coating) + Connection <ul style="list-style-type: none"> · STS 304, 316 · PF, PT, NPT ↔ 1/2(Standard) + Window <ul style="list-style-type: none"> · Tempered safety glass · Laminated safety glass + Stem <ul style="list-style-type: none"> · STS 304, STS 316 · Out Dia. : Ø 8, Ø 10, Ø 12mm | <ul style="list-style-type: none"> + Dial <ul style="list-style-type: none"> · Aluminum · Color of white · Black gradation and characters + Pointer <ul style="list-style-type: none"> · Phosphor bronze · Black coating + Well <ul style="list-style-type: none"> · STS 304, 316 · Titanium, Monel, Hastelloy · Teflon Lining, Glass Lining + Bourdon Tube <ul style="list-style-type: none"> · STS 304 | <ul style="list-style-type: none"> + Contact rating <ul style="list-style-type: none"> · AC 125V 0.5A / 250V 0.25A · DC 24V 0.25A + Contact Form <ul style="list-style-type: none"> · Micro Contact Type · SPDT * 1, SPDT * 2, DPDT * 1 (High, Low, High & High High & Low, Low & Low) + Option <ul style="list-style-type: none"> · Cable Grand |
|--|---|--|

Pressure Gauge

Differential Pressure Gauge & Switch

Accessories of Pressure Gauge

Thermometer & Thermometer Switch

Thermocouple & R.T.D

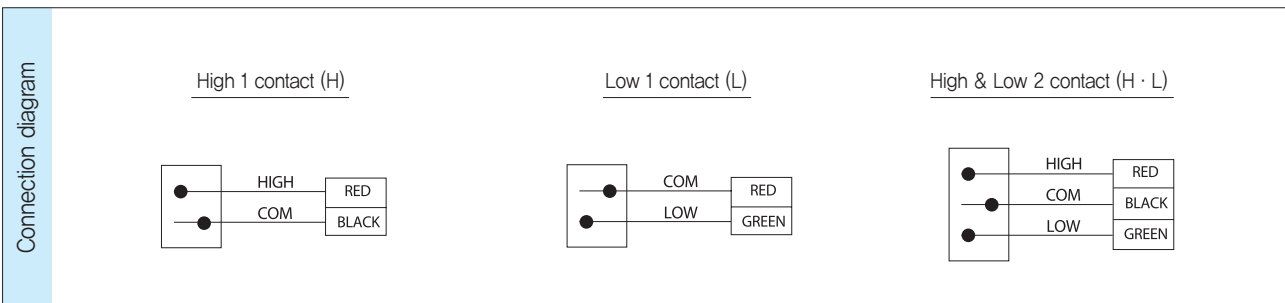
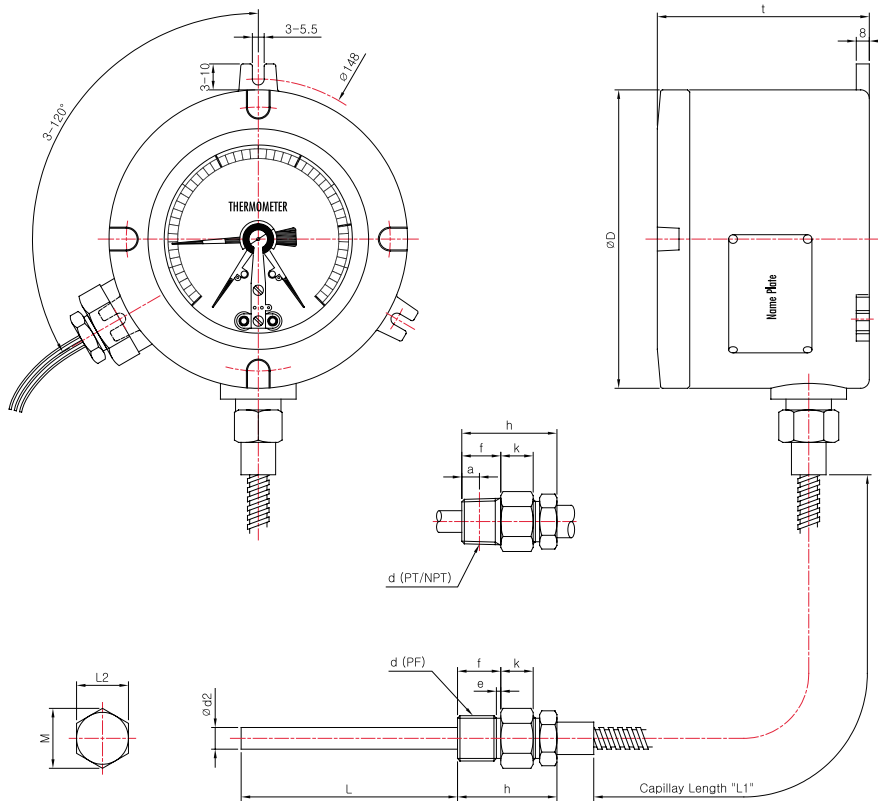
Thermowell

Transmitter

Indicator etc.

Technical data

Model No. | KTD-22



Dimensions (mm)

| Model No. | Conn'h (d) | ØD | b | t | L2 | M | k | Ød2 | h | f | e | a |
|-----------|--------------|-----|----|-------|----|--------|----|-----|------|----|---|------|
| KTD-22 | PF 1/2 | 138 | 30 | (100) | 24 | (27.7) | 17 | 8 | (50) | 20 | 2 | - |
| | NPT & PT 1/2 | | | | | | | 10 | (48) | 18 | - | 8.16 |

*()The measurement in the blanket is approximate.

Pressure Gauge

Differential Pressure Gauge & SWITCH

Accessories of Pressure Gauge

Thermometer & Thermometer Switch

Thermocouple & R.T.D

Thermowell

Transmitter

Indicator etc.

Technical data