

Explosion-Protected Pressure Switch

Model No. **KCD-32 Series**

DAEQIN



KCD-32

[Explosion-protected of protection] Ex d IIB T5

Summary

This pressure switch is proper for pressure control, flow control, liquid level control such as oil pressure, air pressure, water pressure and so on. It was designed considering shock resistance, durability, etc. It has high accuracy, high reliability by using bourdon as an element. The micro switch works on various kinds of fluid and atmosphere pressure.

Safety Management

- Do not give impact during the transportation, installation and usage.
- Be sure to install pressure gauge to be horizontal and vertical.
- Do not use over the capacity of the switch (The standard of using is under AC 220V 15A).

Purpose of Use

- Indicating, warning and controlling pipe pressure in explosion district.
- Indicating, warning and controlling LNG, LPG plant's pressure
- Indicating, warning and controlling of chemical industry plant which has the possibility of explosion.

Production Specification

- ▶ **Pointer Type**
 - No indication
- ▶ **Accuracy**
 - Repeatability : $\pm 1.0\%$ of Adj Range
 - Dead Band : $\pm 4.0\%$
- ▶ **Scale Range**
 - - 0.1 ~ 0 MPa, 0.05 ~ 10 MPa
 - (※ 1 MPa = 10.19716 kgf/cm²)
- ▶ **Working Pressure**
 - Static pressure : 75% of Full Scale
 - Fluctuating pressure : 60% of Full Scale
- ▶ **Working Temperature**
 - Ambient : - 20 ~ 65°C
 - Fluid : - 20 ~ 80°C
- ▶ **Explosion-Protected of Protection**
 - Ex d IIB T5

Product Specification

- | | | |
|---|--|--|
| <ul style="list-style-type: none"> + Case <ul style="list-style-type: none"> · Aluminum(Hammer tone coating) + Cover <ul style="list-style-type: none"> · Aluminum(Hammer tone coating) + Connection <ul style="list-style-type: none"> · STS 316, Other special material · PF, PT, NPT ↔ 1/2, 3/8 | <ul style="list-style-type: none"> + Cable Gland <ul style="list-style-type: none"> · 2-PF 1/2(Standard) + Contact rating <ul style="list-style-type: none"> · AC 125V, 250V 15A · DC 30V 2A / 125V 0.4A / 250V 0.2A + Contact Form <ul style="list-style-type: none"> · Micro Contact Type · SPDT * 1, SPDT * 2, DPDT * 1 (High, Low, High & High High & Low, Low & Low) | <ul style="list-style-type: none"> + Bourdon tube(Element) <ul style="list-style-type: none"> · STS 316 + Option <ul style="list-style-type: none"> · Diaphragm Seal · 2B Pipe Stanchion · Accessories |
|---|--|--|

Pressure Gauge

Differential Pressure Gauge & Switch

Accessories of Pressure Gauge

Thermometer & Thermometer Switch

Thermocouple & R.T.D

Thermowell

Transmitter

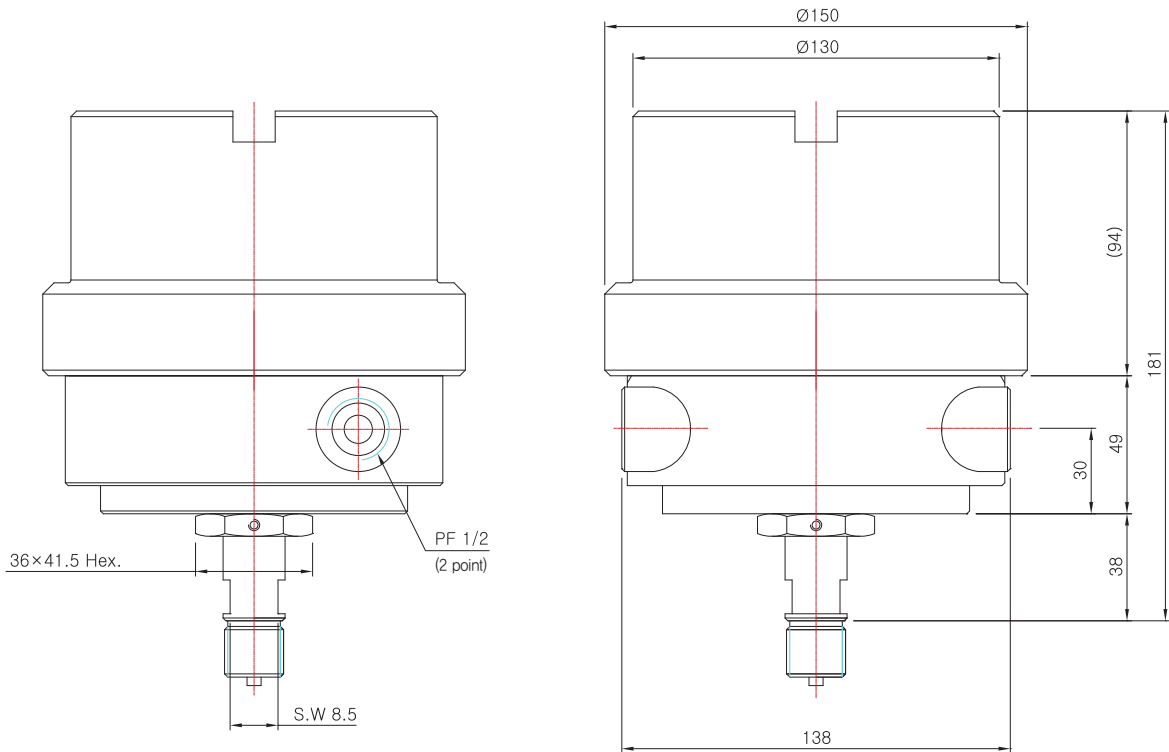
Indicator etc.

Technical data

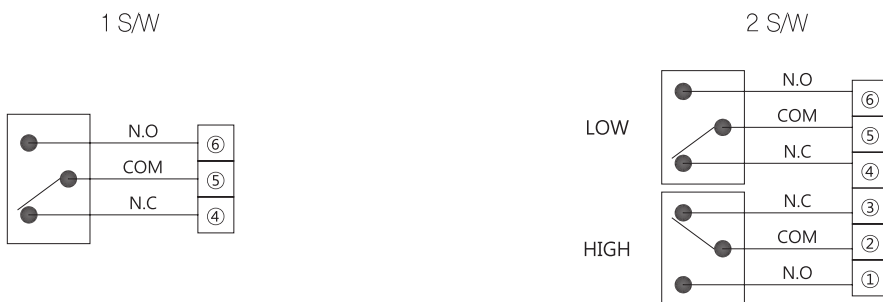
Explosion-Protected Pressure Switch

Model No. **KCD-32 Series**

Model No. | KCD-32



Connection diagram



Pressure Gauge

Differential Pressure Gauge & Switch

Accessories of Pressure Gauge

Thermometer & Thermometer Switch

Thermocouple & R.T.D

Thermowell

Transmitter

Indicator etc.

Technical data