

Explosion-Protected Pressure Switch

Model No. **KCD-30 Series**

DAEJIN



KCD-30

[Explosion-protected of protection] Ex d IIC T4

Summary

This gauge is a diaphragm type and applied to the change of processing line. The micro switch located inside the gauge works according to various fluid and pressure of atmosphere.

Safety Management

- Do not give impact during the transportation, installation and usage.
- Be sure to install pressure gauge to be horizontal and vertical.
- Do not use it over the capacity of the switch (the standard is under AC 220V 15A)

Purpose of Use

- Indicating and warning of piping pressure in explosion district,
- Indicating and warning of the pressure at LNG, LPG plant
- Indicating and warning of chemical industry plant which has the possibility of explosion.

Production Specification

- ▶ **Pointer Type**
 - No indication
- ▶ **Accuracy**
 - Repeatability : $\pm 1.0\%$ of Adj Range
 - Dead Band : $\pm 4.0\%$
- ▶ **Scale Range**
 - 0.5kPa ~ 50kPa
 - (※ 1 kPa = 101.9716 mm H₂O)
- ▶ **Working Pressure**
 - Static pressure : 75% of Full Scale
 - Fluctuating pressure : 60% of Full Scale
- ▶ **Working Temperature**
 - Ambient : - 20 ~ 65°C
 - Fluid : - 20 ~ 80°C
- ▶ **Explosion-Protected of Protection**
 - Ex d IIC T4

Product Specification

- | | | |
|---|--|--|
| <ul style="list-style-type: none"> + Case <ul style="list-style-type: none"> · Aluminum(Hammer tone coating) + Cover <ul style="list-style-type: none"> · Aluminum(Hammer tone coating) + Connection <ul style="list-style-type: none"> · STS 316, Other special material · PF, PT, NPT ↔ 1/2, 3/8 | <ul style="list-style-type: none"> + Cable Gland <ul style="list-style-type: none"> · 2-PF 1/2(Standard) + Contact rating <ul style="list-style-type: none"> · AC 125V, 250V 15A · DC 30V 2A / 125V 0.4A / 250V 0.2A + Contact Form <ul style="list-style-type: none"> · Micro Contact Type · SPDT * 1, SPDT * 2, DPDT * 1 (High, Low, High & High High & Low, Low & Low) | <ul style="list-style-type: none"> + Wetted part material <ul style="list-style-type: none"> · Hastelloy, Titanium, Tantalum etc. · Rubber + Option <ul style="list-style-type: none"> · In case of diaphragm seal slurry · 2B Pipe Stanchion · Accessories |
|---|--|--|

Pressure Gauge

Differential Pressure Gauge & Switch

Accessories of Pressure Gauge

Thermometer & Thermometer Switch

Thermocouple & R.T.D

Thermowell

Transmitter

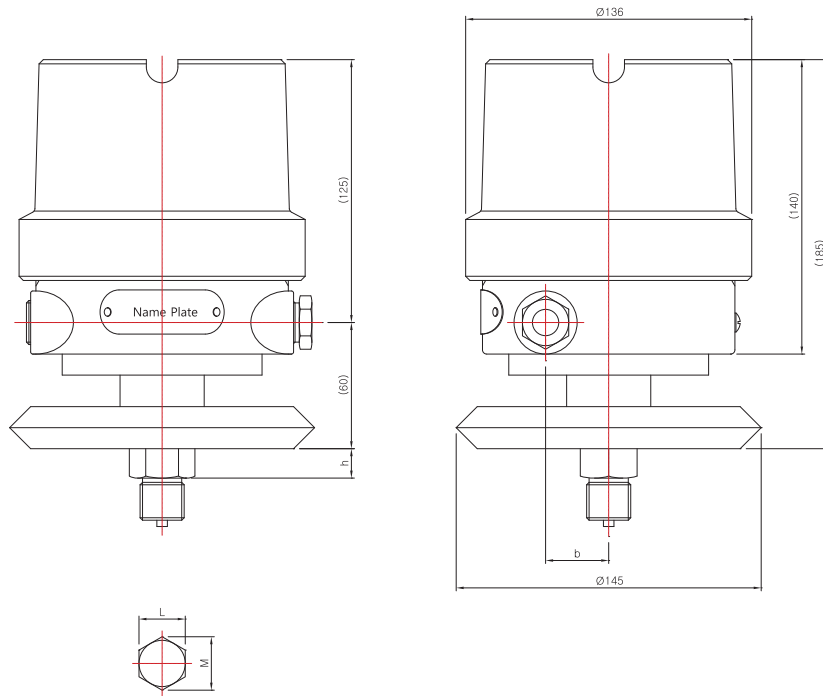
Indicator etc.

Technical data

Explosion-Protected Pressure Switch

Model No. KCD-30 Series

Model No. | KCD-30 Direct Type

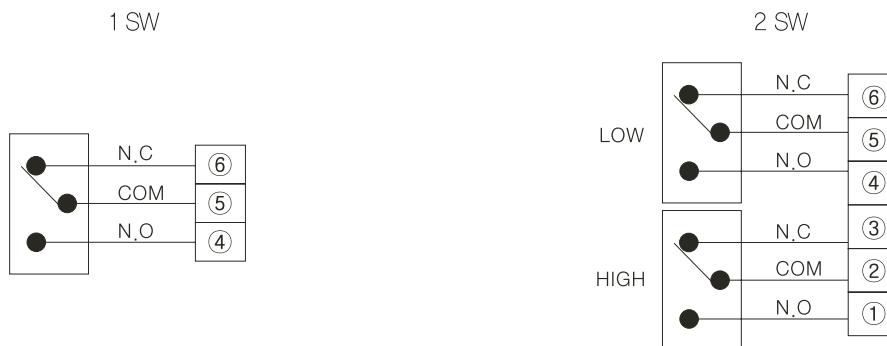


Dimensions (mm)

Model No.	Conn'n (d)	b	L	M	h
KCD-30	NPT & PT, PF 3/8	30	27	(311)	(14)
	NPT & PT, PF 1/2				

*()The measurement in the blanket is approximate.

Connection diagram



Pressure Gauge

Differential Pressure Gauge & Switch

Accessories of Pressure Gauge

Thermometer & Thermometer Switch

Thermocouple & R.T.D

Thermowell

Transmitter

Indicator, etc.

Technical data