

# Explosion-Protected Pressure Gauge with Contact(Small Type)

Model No. **KCD-23 Series**



**KCD-23**

[Explosion-protected of protection] Ex d IIC T4

## Summary

This gauge is to prevent explosion disaster of plants, etc. It is an internal explosion-proof type of pressure switch. In places where combustible gas or liquid exist at petrochemistry or chemical fiber factory, be sure to use a pressure gauge which is an internal explosion-proof type as an electric device.

### Safety Management

- Be sure to install a protecting device where exist abrupt change of pressure, vibration and pulsation.
- Do not give impact during the transportation, installation and usage.
- Be sure to install pressure gauge to be horizontal and vertical.

### Purpose of Use

- Indicating and warning of piping pressure in explosion district.
- Indicating and warning of the pressure at LNG, LPG plant
- Indicating and warning of chemical industry plant which has the possibility of explosion.

### Production Specification

- ▶ Diameter
  - 100 mm
- ▶ Accuracy
  - ±1.0% of Full Scale
- ▶ Scale Range
  - - 0.1 ~ 2 MPa, 0 ~ 35 MPa, 5 ~ 50 kPa
  - MPa (※ 1 MPa = 10.19716 kgf/cm<sup>2</sup>)
  - Others also can be made up
- ▶ Working Pressure
  - Static pressure : 75% of Full Scale
  - Fluctuating pressure : 60% of Full Scale
- ▶ Working Temperature
  - Ambient : - 20 ~ 65°C
  - Fluid : - 20 ~ 80°C
- ▶ Explosion-Protected of Protection
  - Ex d IIC T4

### Product Specification

<ul style="list-style-type: none"> <li>+ Case                             <ul style="list-style-type: none"> <li>· Aluminum(Hammer tone coating)</li> </ul> </li> <li>+ Cover                             <ul style="list-style-type: none"> <li>· Aluminum(Hammer tone coating)</li> </ul> </li> <li>+ Connection                             <ul style="list-style-type: none"> <li>· STS 316</li> <li>· PF, PT, NPT ↔ 1/2, 3/8</li> </ul> </li> <li>+ Window                             <ul style="list-style-type: none"> <li>· Tempered safety glass,</li> </ul> </li> </ul>	<ul style="list-style-type: none"> <li>+ Contact rating                             <ul style="list-style-type: none"> <li>· AC 125V 0.5A / 250V 0.25A</li> <li>· DC 24C 0.25A</li> </ul> </li> <li>+ Pointer                             <ul style="list-style-type: none"> <li>· Aluminum</li> <li>· Pointer black coating</li> <li>· High Pointer : Red color</li> <li>· Low Pointer : Green color</li> </ul> </li> <li>+ Dial                             <ul style="list-style-type: none"> <li>· Aluminum</li> <li>· White coating</li> <li>· Black gradation and characters</li> </ul> </li> </ul>	<ul style="list-style-type: none"> <li>+ Bellows &amp; Bourton tube (Element)                             <ul style="list-style-type: none"> <li>· STS304, STS316</li> </ul> </li> <li>+ Movement                             <ul style="list-style-type: none"> <li>· STS 304</li> </ul> </li> <li>+ Contact Form                             <ul style="list-style-type: none"> <li>· SPDT * 1, SPDT * 2</li> <li>(High, Low, High &amp; High High &amp; Low, Low &amp; Low)</li> </ul> </li> <li>+ Option                             <ul style="list-style-type: none"> <li>· Throttles</li> <li>· Accessories</li> </ul> </li> </ul>
--	---	---

Pressure Gauge

Differential Pressure Gauge & Switch

Accessories of Pressure Gauge

Thermometer & Thermometer Switch

Thermocouple & R.T.D

Thermowell

Transmitter

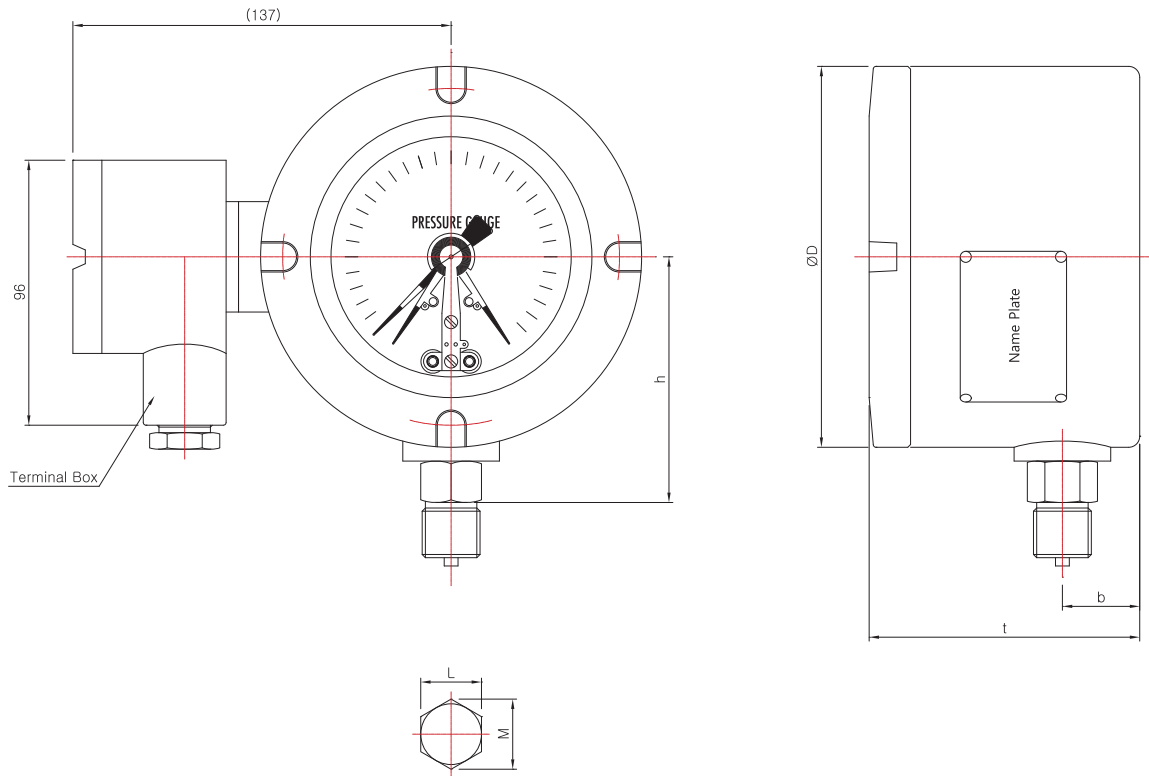
Indicator etc.

Technical data

# Explosion-Protected Pressure Gauge with Contact(Small Type)

## Model No. KCD-23 Series

### Model No. | KCD-23 A-Type (Rimless type)



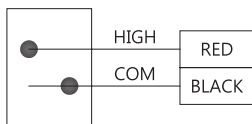
#### Dimensions (mm)

Model No.	Conn'n (d)	ØD	b	t	L	M	h
KCD-23	NPT & PT, PF 3/8	138	30	(100)	22	(25.4)	(90)
	NPT & PT, PF 1/2						

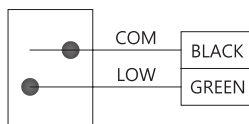
\*( )The measurement in the blanket is approximate.

#### Connection diagram

High 1 contact(H)



Low 1 contact(L)



High, Low 2 contact(H & L)

