

Model DWS/유체용 차압센서

Wet / Wet Differential Pressure Transducer

Description

DWS model, it is suitable measuring for high precise measurement and differential pressure. DWS can be against corrosive material owing to Media-Wetted materials are composed stainless steel 316L. DWS strength point is in-amplification circuit, It can be helpful communication of variety controllers.

Features

- ▶ CE Certified
- ▶ VDC, mA output
- ▶ Measuring range 0~3.5MPa diff.
- ▶ 0.25%FS or 0.5%FS accuracy
- ▶ IP65 protection(DIN Connector type)
- ▶ Differential Pressure measurement
- ▶ Piezoresistive silicon cell
- ▶ Stainless steel media-wetted materials

Applications

- ▶ Corrosive Fluid and Gas Measurement Systems
- ▶ Liquid Level Controls
- ▶ Tank Level Measurement
- ▶ Leak Tester System

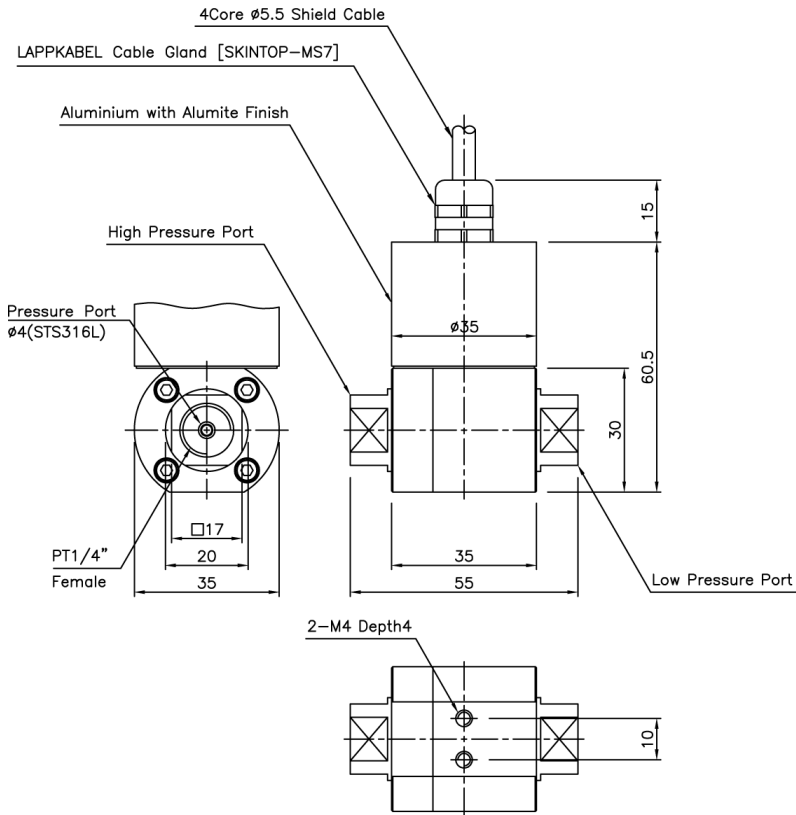
Specifications



	Accuracy 0.25%FS	Accuracy 0.5%FS
Range	0~5kPa ... 3.5 MPa	0~100kPa ... 2.5 MPa
Performance		
Accuracy	±0.25%FS(RSS)	±0.5%FS(RSS)
Thermal Effect on Zero	±0.05%FS/°C	±0.05%FS/°C
Thermal Effect on Span	±0.05%FS/°C	±0.05%FS/°C
Compensated Temperature Range	-10 ~ 70°C	
Operating Temperature Range	-20 ~ 80°C	
Electrical		
Excitation	11 ~ 28VDC	
Output	0~5VDC, 1~5VDC, 0~10VDC, 4~20mA(2Wire)	
Electrical Connection	Cable Gland, Connector, Head, Din Connector	
Physical		
Proof Pressure	Positive Pressure 300%FS Max. Negative Pressure 300%FS Max.	Positive Pressure 200%FS Max. Negative Pressure 100%FS Max.
	(For high-end port, rated or 7MPa whichever is less; for low-end port, rated or 1MPa whichever is less.)	
Line(Common Mode) Pressure	7MPa	
Vibration	49.1m/s ² {5G}, 10~500Hz	
Shock	490m/s ² {50G}	
Pressure port	R(PT)1/4"(F), UNF 7/16(Flare Fitting)	
Media-Wetted Materials	Stainless Steel 316L, VITON	
Weight	Approx. 315g (Connector Type)	Approx. 410g (Connector Type)

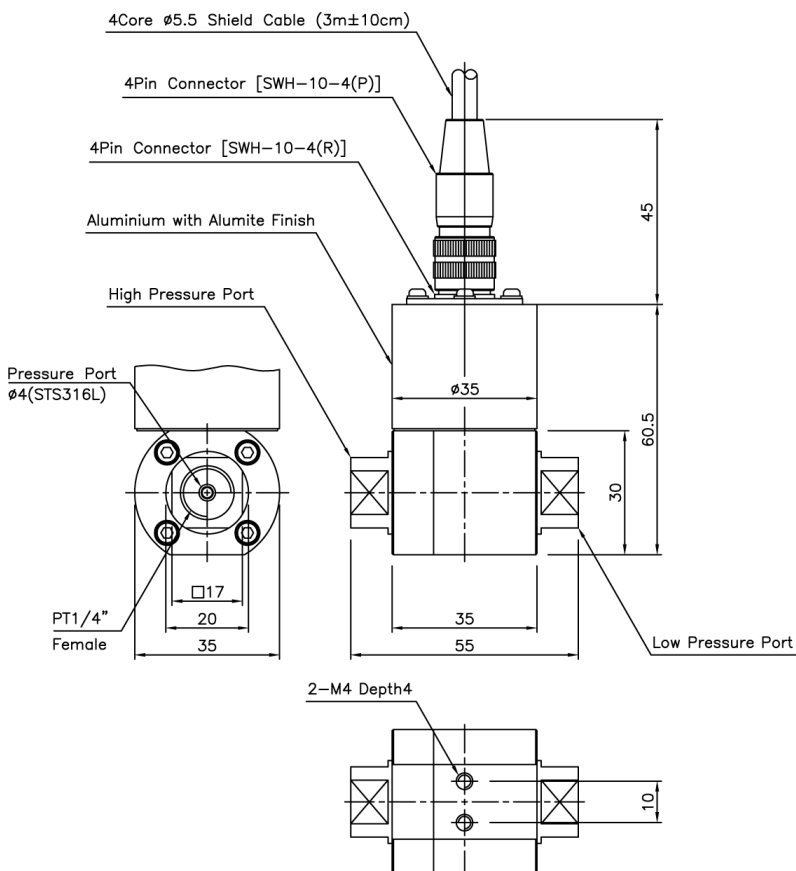
Dimension

► Cable Gland Type (Accuracy 0.25%FS Type)



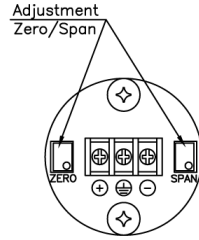
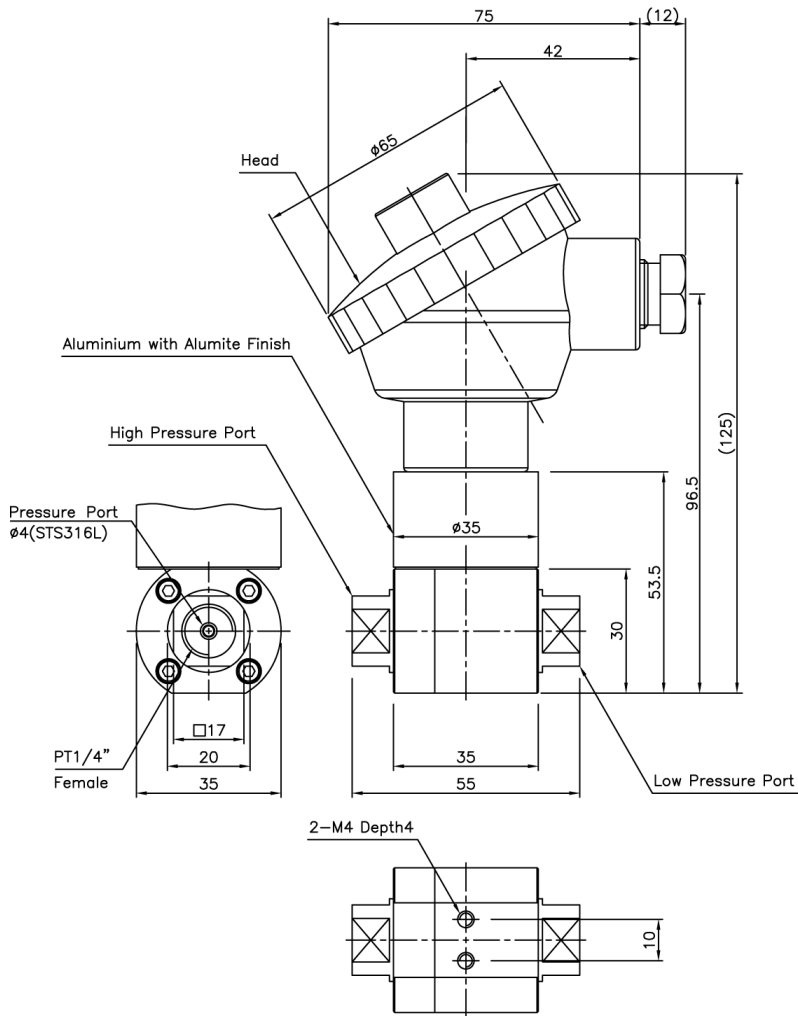
Wire Color	Connections		
	4Wire	3Wire	2Wire
Red	Input \oplus	Input \oplus	Input \oplus
White	Output \ominus	Common \ominus	x
Black	Input \ominus	x	Output \oplus
Green	Output \oplus	Output \oplus	x
Shield	Earth	Earth	Earth

► Connector Type (Accuracy 0.25%FS Type)



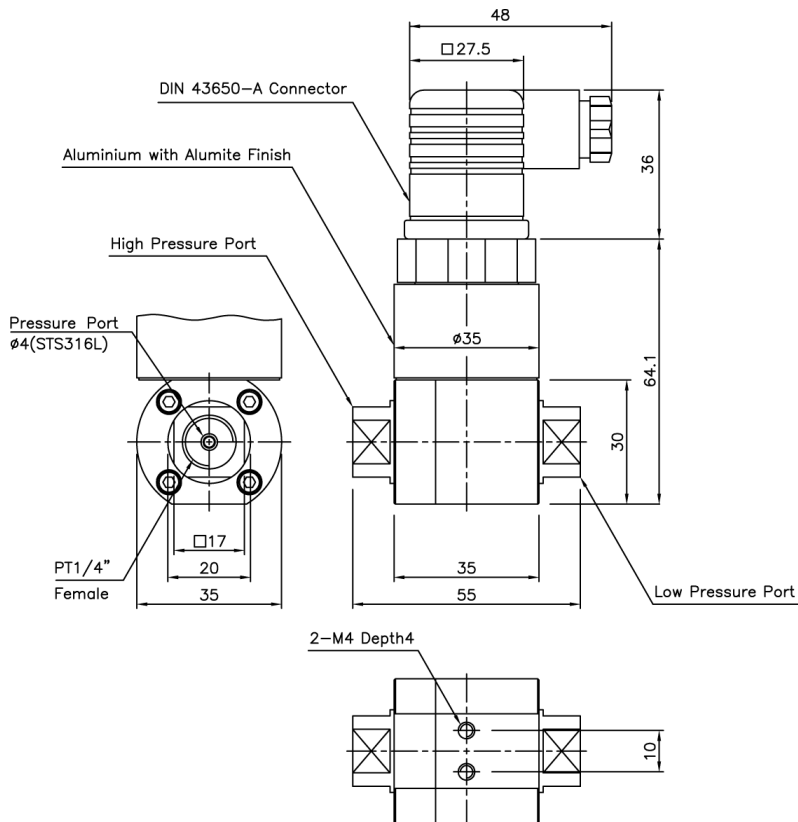
Pin No.	Wire Color	Connections		
		4Wire	3Wire	2Wire
1	Red	Input \oplus	Input \oplus	Input \oplus
2	White	Output \ominus	Common \ominus	x
3	Black	Input \ominus	x	Output \oplus
4	Green	Output \oplus	Output \oplus	x
5	Shield	Earth	Earth	Earth

► Head Type (Accuracy 0.25%FS Type)



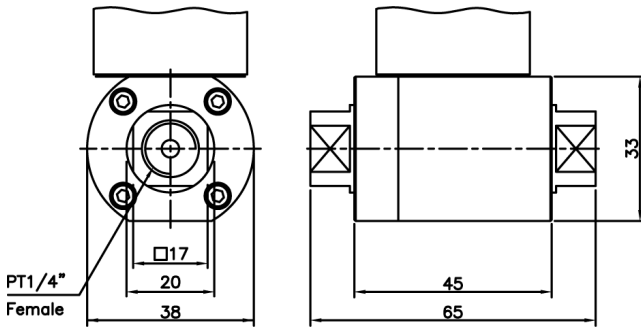
No.	Connections	
	2Wire	
+	Input	⊕
⊕	Earth	
-	Output	⊕

► Din connector Type (Accuracy 0.25%FS Type)

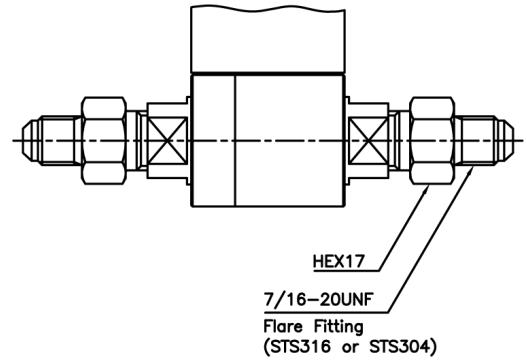


Pin No.	Connections	
	3Wire	2Wire
1	Input ⊕	Input ⊕
2	Common ⊖	Output ⊕
3	Output ⊕	x
⊕	Earth	Earth

▶ Accuracy 0.5%FS Type

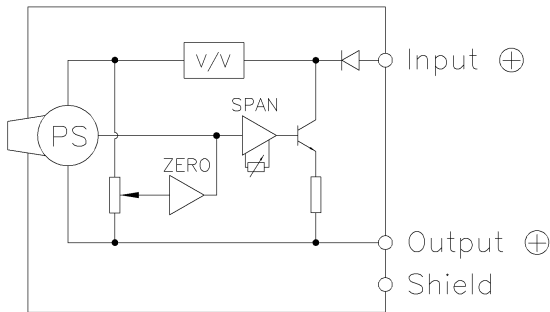


▶ Flare Fitting(Optional)

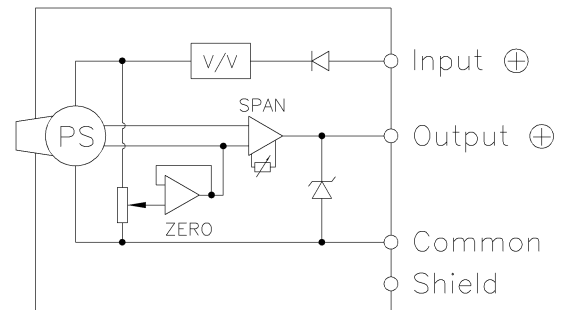


Internal Circuit Diagram

▶ 2Wire mA Output Type



▶ 3, 4Wire VDC Output Type



Ordering Information

Model Name	DWS H 0020 R 1 P H - □	Option
Output	B : 4Wire 0~5V C : 3Wire 0~5V D : 4Wire 1~5V E : 3Wire 1~5V H : 2Wire 4~20mA J : 3Wire 0~10V K : 4Wire 0~10V	Accuracy H : 0.25%FS L : 0.5%FS
Pressure Range	XXXX : Pressure CXXX : Compound Pressure	Connecting Methods P : Connector H : Head I : Din 43650-A connector S : Cable Gland
Pressure Unit	K : kgf/cm ² P : psi R : kPa H : mmHg B : bar M : MPa C : cmH ₂ O	Pressure port 1 : R(PT)1/4"(Female) 2 : UNF 7/16(Flare Fitting)