

Model PSH/고정밀급 압력센서

High Performance Pressure Transducer

Description

PSH model is high precise and its media-wetted materials are composed of stainless steel 316L, having excellent corrosion-resistant properties. It is applied to precise measurement and builds an inner amplifier to interface with various kinds of controllers.

Features

- ▶ CE Certified
- ▶ VDC, mA output
- ▶ Measuring range 0~70MPa
- ▶ 0.15%FS accuracy
- ▶ Gauge and absolute measurement
- ▶ Piezoresistive silicon cell
- ▶ Stainless steel(316L) media-wetted materials

Applications

- ▶ Process control
- ▶ Hydraulics & Pneumatic
- ▶ Compressor Control
- ▶ Chillers
- ▶ Refrigeration Equipment

Specifications



Range

0 ~ 5kPa ... 70MPa(Gauge)
 -100kPa ~ 0 ... 70MPa (Gauge)
 0 ~ 35kPa ... 70MPa (Absolute)

Performance

Accuracy	±0.15%FS(RSS)
Thermal Effect on Zero	±0.03%FS/°C
Thermal Effect on Span	±0.03%FS/°C
Compensated Temperature Range	-10 ~ 70°C
Operating Temperature Range	-20 ~ 80°C

Electrical

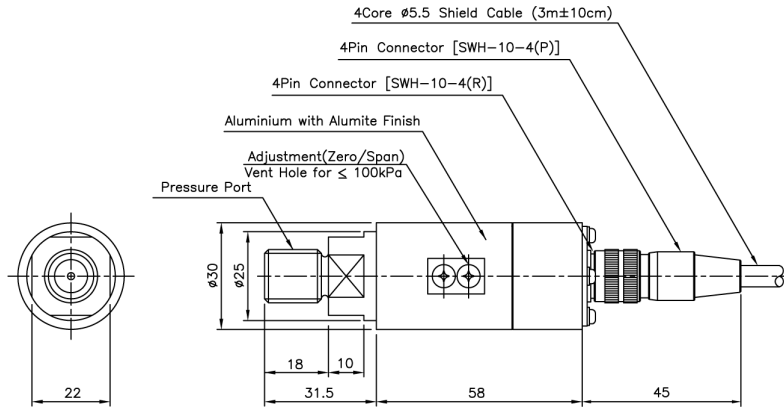
Excitation	11 ~ 28VDC
Output	0~5VDC, 1~5VDC, 0~10VDC(3, 4Wire) 4~20mA(2, 3 Wire)
Electrical Connection	Connector, Head, Din Connector

Physical

Proof Pressure	X3 or 140MPa, Whichever is less.
Burst Pressure	X4 or 210MPa, Whichever is less.
Vibration	49.1m/s ² {5G}, 10~500Hz
Shock	490m/s ² {50G}
Pressure port	R(PT)1/8", G(PF)1/8", R(PT)1/4", G(PF)1/4", R(PT)3/8", G(PF)3/8"
Media-Wetted Materials	Stainless Steel 316L, Viton
Weight	Connector type : Approx. 140g (Sensor Only)

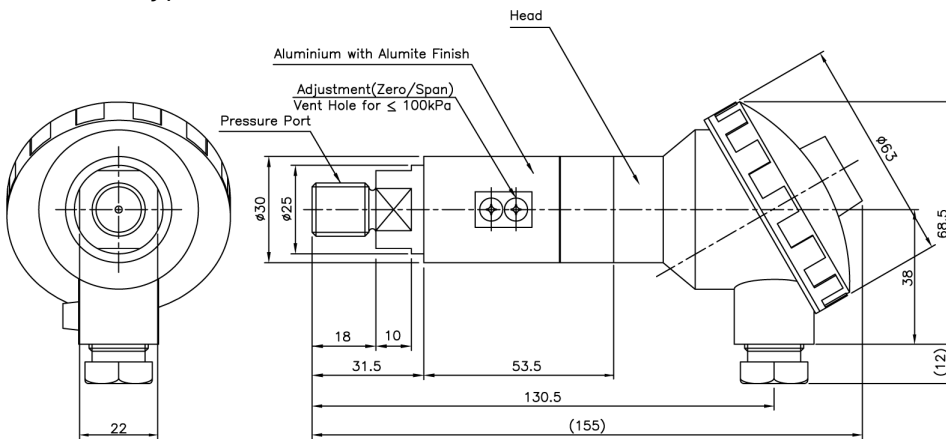
Dimension

► Connector Type



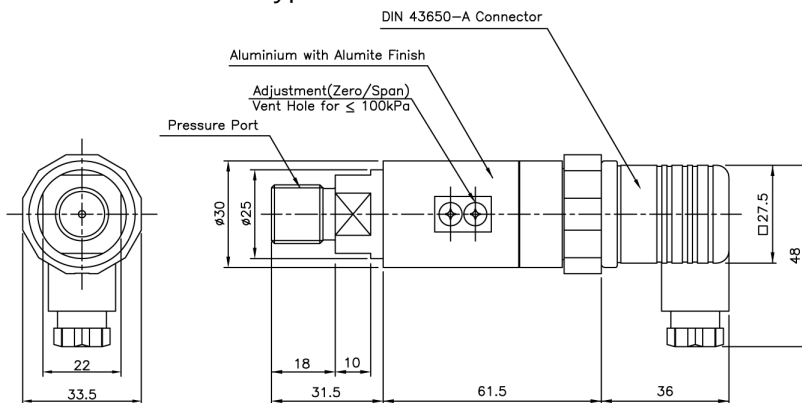
Pin No.	Wire Color	Connections		
		4Wire	3Wire	2Wire
1	Red	Input ⊕	Input ⊕	Input ⊕
2	White	Output ⊖	Common ⊖	×
3	Black	Input ⊖	×	Output ⊕
4	Green	Output ⊕	Output ⊕	×
5	Shield	Earth	Earth	Earth

► Head Type



No.	Connections
	2Wire
+	Input ⊕
⊕	Earth
-	Output ⊕

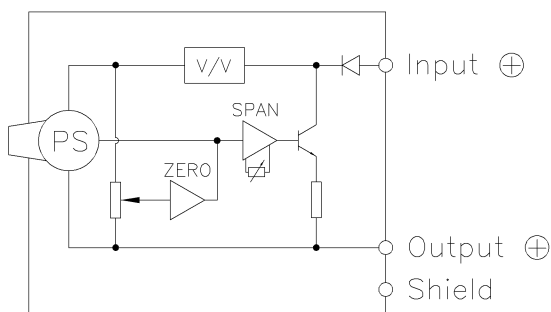
► Din connector Type



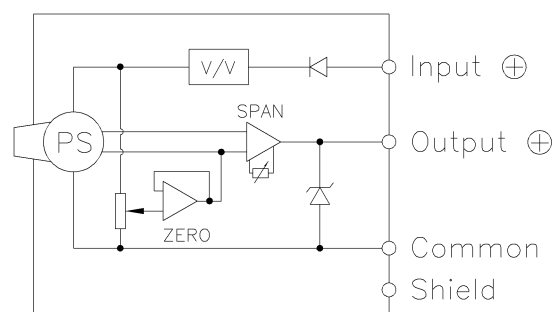
Pin No.	Connections	
	3Wire	2Wire
1	Input ⊕	Input ⊕
2	Common ⊖	Output ⊕
3	Output ⊕	×
⊕	Earth	Earth

Internal Circuit Diagram

► 2Wire mA Output Type



► 3, 4Wire mA, VDC Output Type



Ordering Information

PSH B 0100 R A P G

Model Name

Output

B : 4Wire 0~5V	G : 3Wire 4~20mA
C : 3Wire 0~5V	H : 2Wire 4~20mA
D : 4Wire 1~5V	J : 3Wire 0~10V
E : 3Wire 1~5V	K : 4Wire 0~10V
F : 4Wire 4~20mA	

Pressure Range

XXXX : Pressure
 CXXX : Compound Pressure

Type of Pressure Measurement

G : Gauge
 J : Absolute

Connecting Methods

P : Connector
 H : Head
 I : Din 43650-A connector

Pressure port

A : R(PT)3/8"	D : G(PF)1/4"
B : G(PF)3/8"	G : R(PT)1/8"
C : R(PT)1/4"	H : G(PF)1/8"

Pressure Unit

R : kPa	M : MPa
B : bar	K : kgf/cm ²
P : psi	H : mmHg
C : cmH ₂ O	