

Model PCA / 내부식용 테프론 다이어프램 압력센서

Corrosion Proof Pressure Transmitter

Description

PCA designed for high precision measurement and consists of the ceramic pressure cell. PCA made of PTFE, the material of component can be against corrosion, it has no seal inner part. These specification are good at corrosion proof and apply to various control equipment.

Features

- ▶ 4~20mA output
- ▶ Measuring range 0~1MPa
- ▶ 1%FS accuracy
- ▶ IP55 Protection
- ▶ DI Water, Strong ACID, Strong ALKALI
- ▶ Piezoresistive Ceramic Cell
- ▶ PTFE media-wetted materials

Applications

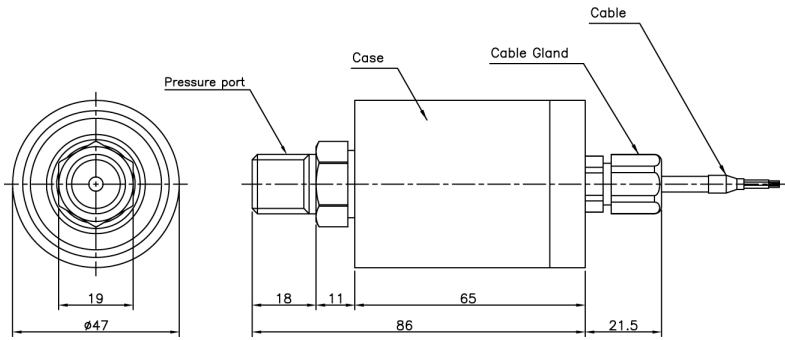
- ▶ Semiconductor Manufacturing Equipment
- ▶ High-Purity Fluids
- ▶ Chemical Process
- ▶ Physics and Chemistry Equipment
- ▶ Waste Disposing Equipment



Specifications

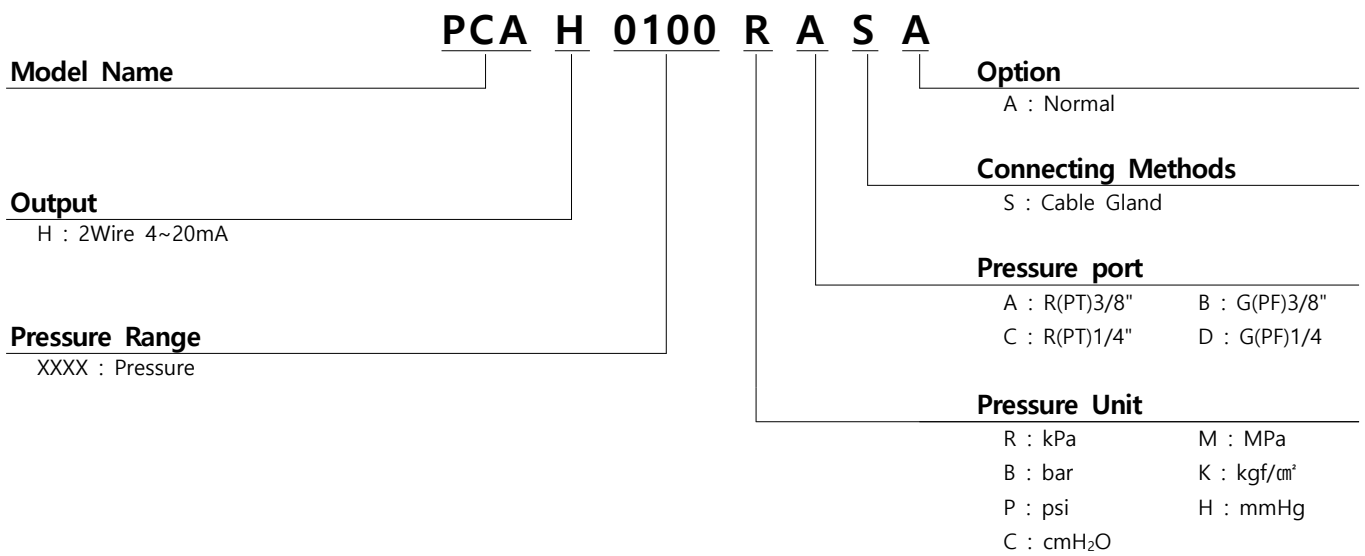
Range	0~100 ... 1000kPa (Gauge)
Performance	
Accuracy	±1%FS(RSS)
Thermal Effect on Zero	±0.1%FS/°C
Thermal Effect on Span	±0.1%FS/°C
Compensated Temperature Range	10 ~ 50°C
Operating Temperature Range	10 ~ 70°C
Electrical	
Excitation	11 ~ 28VDC
Output	4~20mA(2Wire)
Electrical Connection	Cable
Physical	
Proof Pressure	120%FS Max.
Burst Pressure	150%FS Min.
Vibration	49.1m/s ² {5G}, 10~500Hz
Shock	490m/s ² {50G}
Pressure port	R(PT)1/4", G(PF)1/4", R(PT)3/8", G(PF)3/8"(Stock)
Media-Wetted Materials	PTFE
Weight	Approx. 200g (include cable 50cm)

Dimension



Wire Color	Connections
Red	Input ⊕
Blue	Output ⊕
Shield	Earth

Ordering Information



TEL : 02 - 2631 - 7290

198 17 131 (가 C)

FAX : 02 - 2675 - 0605

http://www.gauge.co.kr

e-mail : dajinbs@hanmail.net