

Model DPR/판넬취부 공조용 디지털 차압계

Panel Mounting Type Differential Low Pressure Gauge / Switch

Description

DPR model is ideal for the application (such as HVAC) with differential pressure, vacuum pressure, gauge pressure and especially low pressure of non-corrosive gases or air measured. Device for Low Pressure Gauge / Switch, which is using MICOM, improved Accuracy.

Features

- ▶ 3-1/2 digit LED display
- ▶ Panel Mounting Type
- ▶ Auto Zero
- ▶ 2Ch Relay Alarm output
- ▶ 1~5VDC, 0~10VDC, 4~20mA analog output (Adjustable Pressure Range)
- ▶ Measuring range 0~300..100kPa diff.
- ▶ 0.5~1.5%FS accuracy
- ▶ Piezoresistive silicon cell
- ▶ Use with non-corrosive, non-ionic media



Applications

- ▶ Airflow Measurement
- ▶ Room Static Pressure
- ▶ VAV Box
- ▶ Lab/Fume Hood Control
- ▶ Clean Room Control

Specifications

Range

0~300, 500, 750Pa 0~1 ... 100kPa
 ±300, ±500, ±750Pa, ±1 ... ±100kPa

Performance

Accuracy	±0.5%FS±1digit(≥1000Pa), ±1%FS±1digit(500, 750Pa), ±1.5%FS±1digit(300Pa)
Thermal Effect on Zero	±0.15%FS/°C(≥750Pa), ±0.2%FS/°C(500Pa), ±0.3%FS/°C(300Pa)
Thermal Effect on Span	±0.15%FS/°C(≥750Pa), ±0.2%FS/°C(500Pa), ±0.3%FS/°C(300Pa)
Compensated Temperature Range	0 ~ 50°C
Operating Temperature Range	-10 ~ 70°C

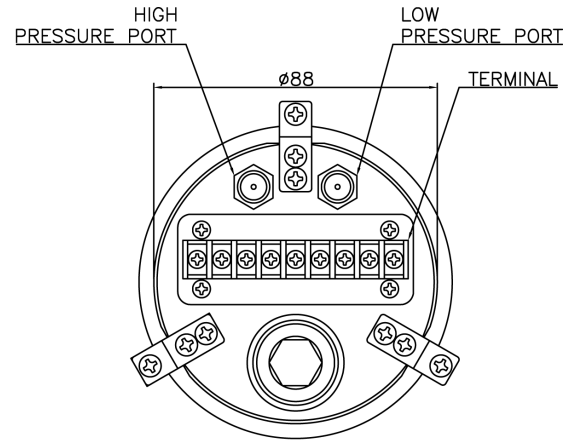
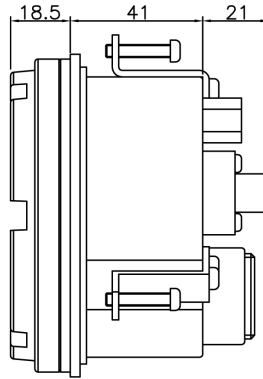
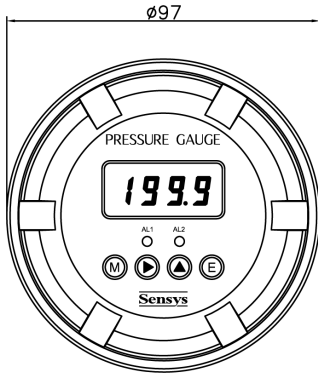
Electrical

Display	3-1/2 Digit LED
Excitation	18~24VDC±10% or 100~240VAC(50/60Hz)
Output	
Switching Signal	2 RELAY(3A 30VDC / 3A 250VAC)
Analog Signal	1~5VDC or 0~10VDC or 4~20mA (Adjustable Pressure Range)
Electrical Connection	Terminal

Physical

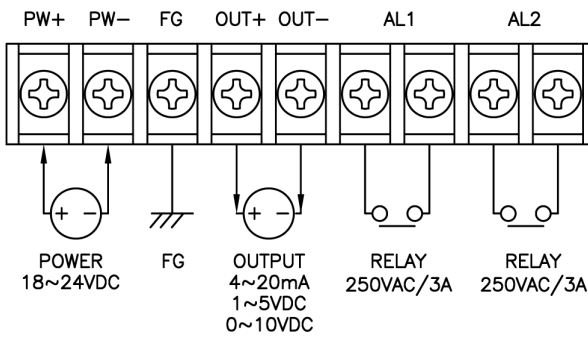
Proof Pressure	300%FS Max.
Burst Pressure	500%FS Min.
Pressure Port	R(PT) 1/8" (Female)
Media-Wetted Materials	Brass(Ni plated), SiO ₂ , Si Rubber
Mounting Hole	Ø89 (Optional Ø93)

Dimension

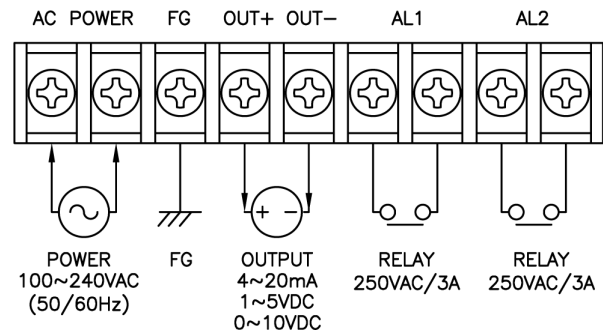


Connections

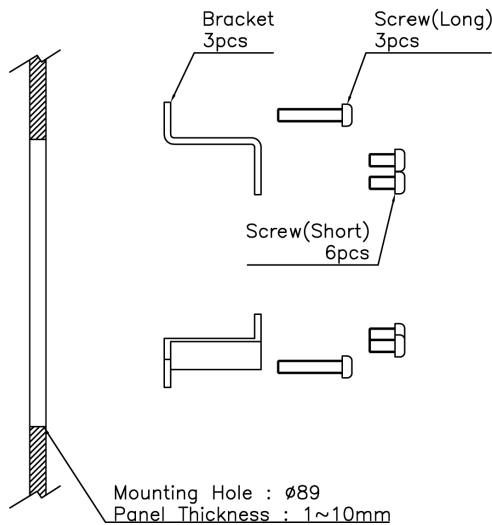
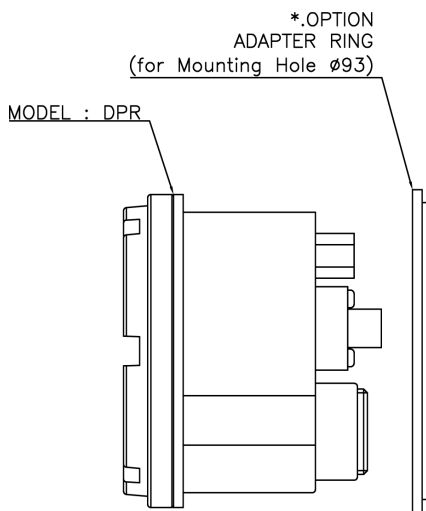
▶ Excitaton : 18~24VDC



▶ Excitaton : 100~240VAC

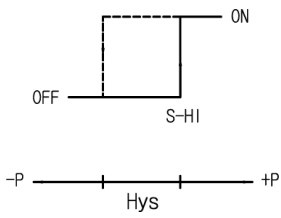


Mounting

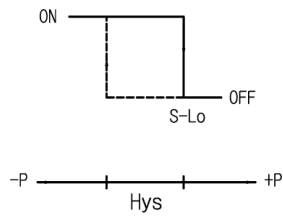


Alarm Mode

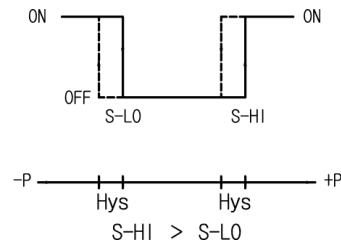
▶ Hi Mode



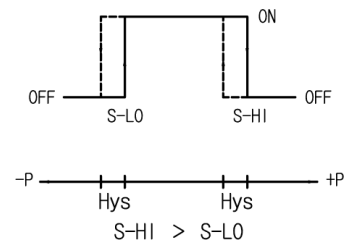
▶ Low Mode



▶ A Mode



▶ B Mode



Ordering Information

DPR D 0500 A A - □

<p>Model Name</p> <hr/> <p>Output</p> <ul style="list-style-type: none"> D : 1~5V, Relay E : 1~5V K : 0~10V, Relay J : 0~10V F : 4~20mA, Relay G : 4~20mA <p>Pressure Range</p> <ul style="list-style-type: none"> XXXX : 0~Range CXXX : ±Range 	<p>Option</p> <ul style="list-style-type: none"> A : Adapter Ring (Ø93) <p>Excitation</p> <ul style="list-style-type: none"> A : 18~24VDC B : 100~240VAC(50/60Hz) <p>Pressure Unit</p> <ul style="list-style-type: none"> A : Pa R : kPa D : mmH₂O
--	--