

Model DPM/48*24공조용 디지털 차압계

48mm X 24mm Panel Mounting

Differential Low Pressure Gauge / Switch

Description

DPM model is ideal for the application (such as HVAC) with differential pressure, vacuum pressure, gauge pressure and especially low pressure of non-corrosive gases or air measured. Device for Low Pressure Gauge / Switch, which is using MICOM, improved Accuracy. In order to reduce to the time assembling, may use e-CON Connector.

Features

- ▶ CE Certified
- ▶ 3-1/2 digit LED display
- ▶ 48mm X 24mm Panel Mounting Type
- ▶ e-CON Connector
- ▶ Auto Zero
- ▶ 2Ch NPN Open Collector Alarm output
- ▶ 1~5VDC or 4~20mA analog output(Adjustable Pressure Range)
- ▶ Measuring range 0~300..10kPa diff.
- ▶ 0.5~1.5%FS accuracy
- ▶ Piezoresistive silicon cell
- ▶ Use with non-corrosive, non-ionic media



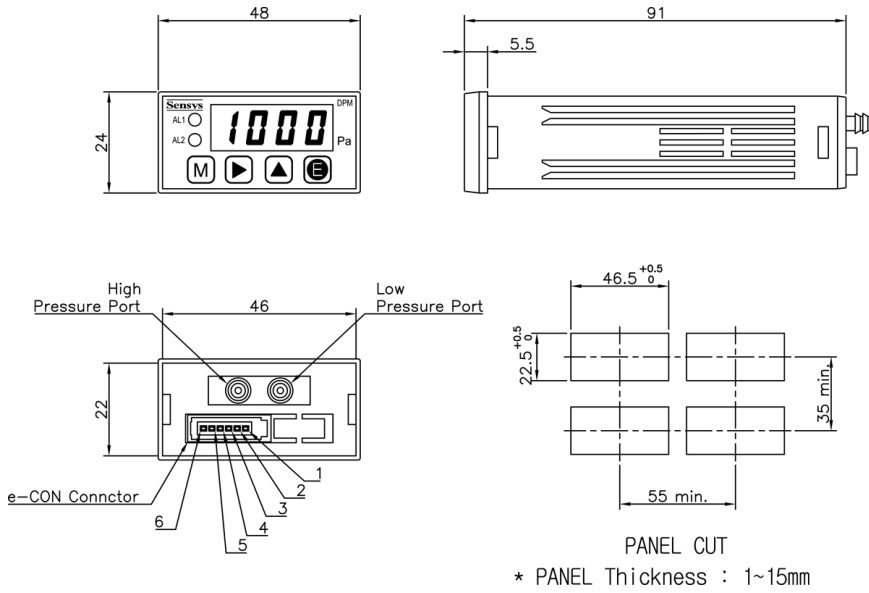
Applications

- ▶ Airflow Measurement
- ▶ Room Static Pressure
- ▶ VAV Box
- ▶ Lab/Fume Hood Control
- ▶ Clean Room Control

Specifications

	DPM /	DPM
Range	0~300, 500, 750Pa 0~1, 2, 3, 5, 10kPa ±300, ±500, ±750Pa, ±1, ±2, ±3, ±5, ±10kPa	
Performance	Accuracy ±0.5%FS±1digit(≥1000Pa), ±1%FS±1digit(500, 750Pa), ±1.5%FS±1digit(300Pa) Thermal Effect on Zero ±0.15%FS/°C(≥750Pa), ±0.2%FS/°C(500Pa), ±0.3%FS/°C(300Pa) Thermal Effect on Span ±0.15%FS/°C(≥750Pa), ±0.2%FS/°C(500Pa), ±0.3%FS/°C(300Pa) Compensated Temperature Range 0 ~ 50°C Operating Temperature Range -10 ~ 70°C	
Electrical	Display 3-1/2 Digit LED Excitation 12~24VDC±10% Output Switching Signal NPN Open Collector TR(80mA, 24VDC) - Analog Signal 1~5VDC or 0~10VDC or 4~20mA (Adjustable Pressure Range) - Electrical Connection Tyco Electronics AMP 6Pin e-CON Connector(Plug Connector not Include)	
Physical	Proof Pressure 300%FS Max. Burst Pressure 500%FS Min. Pressure Port 1/8" Nipple Media-Wetted Materials Brass(Ni plated), SiO ₂ , Si Rubber	

Dimension



▶ Analog / Alarm Output Type

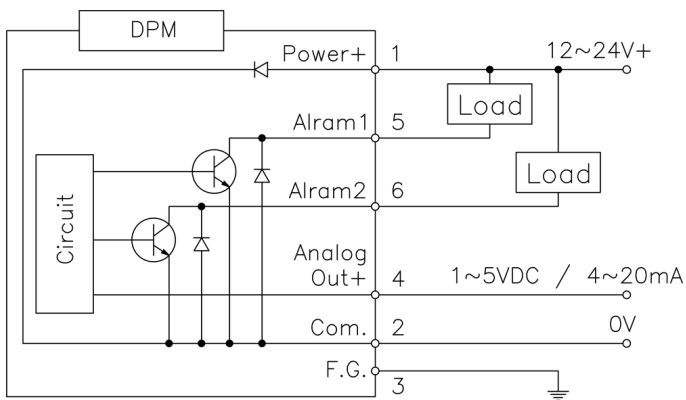
Pin No.	Connections
1	Power+(12~24VDC)
2	Com.
3	F.G.
4	Analog output+
5	Alarm 1
6	Alarm 2

▶ Only Display Type

Pin No.	Connections
1	Power+(12~24VDC)
2	Com.
3	F.G.
4	N/A
5	N/A
6	N/A

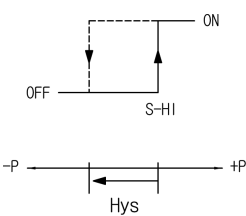
Circuit Diagram

▶ NPN Open Collector Tr. Output

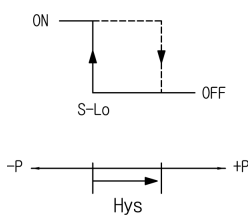


Alarm Mode

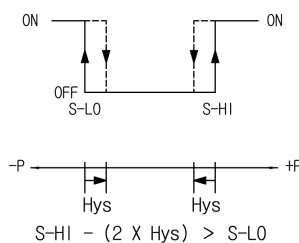
▶ Hi Mode



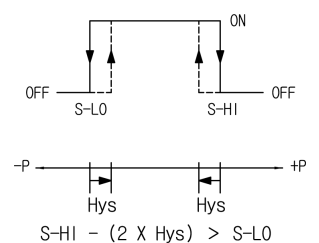
▶ Low Mode



▶ A Mode



▶ B Mode



e-CON Plug Connector

You can choose Tyco Electronics AMP Co, RITS Plug Connector as below table

P/N	Hold Housing Color	Cable / Wire	
		Cross-Section Areas	Diameter of Insulation
3-1473562-6	Orange	0.08~0.25mm ²	0.60~0.90mm
1-1473562-6	Red	0.1~0.5mm ²	0.90~1.00mm
1473562-6	Yellow		1.00~1.15mm
2-1473562-6	Blue		1.15~1.35mm
4-1473562-6	Green	0.2~0.6mm ²	1.35~1.60mm

Ordering Information

DPM G 0500 A

Model Name

Analog Output

E : 1~5V, 2Ch NPN Open Collector TR.
 J : 0~10V, 2CH NPN Open Collector TR.
 G : 4~20mA, 2Ch NPN Open Collector TR.
 0 : N/A

Pressure Unit

A : Pa
 R : kPa
 D : mmH₂O

Pressure Range

XXXX : 0~Range
 CXXX : ±Range