

# Model DPD/소형 공조용 디지털 차압계

## Compact Size Differential Pressure Transmitter with Local Indication

### Description

DPD model is ideal for the application (such as HVAC) with differential pressure, vacuum pressure, gauge pressure and especially low pressure of non-corrosive gases or air measured. Analog output 4~20mA, 2wire and it provides LCD display.

### Features

- ▶ 3 1/2 digit LCD display
- ▶ 2Wire 4~20mA analog output
- ▶ Measuring range 0~300Pa ... 100kPa diff.
- ▶ 0.5%FS accuracy
- ▶ Piezoresistive silicon cell
- ▶ Use with non-corrosive, non-ionic media

### Applications

- ▶ Airflow Measurement
- ▶ Room Static Pressure
- ▶ VAV Box
- ▶ Lab/Fume Hood Control
- ▶ Clean Room Control



### Specifications

#### Range

0~300, 500Pa / 1, 2, 5, 10, 20, 50, 100kPa

#### Performance

Accuracy	±0.5%FS ± 1digit
Thermal Effect on Zero	±0.08%FS/°C
Thermal Effect on Span	±0.08%FS/°C
Compensated Temperature Range	0 ~ 50°C
Operating Temperature Range	-10 ~ 70°C

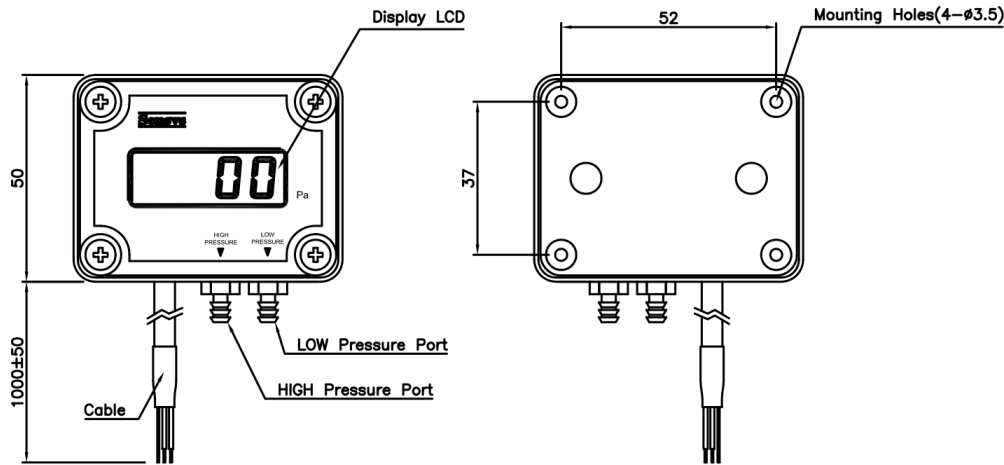
#### Electrical

Display	±1999(3 1/2) Digit LCD
Excitation	14 ~ 28VDC
Output	4~20mA (2Wire)
Electrical Connection	Cable

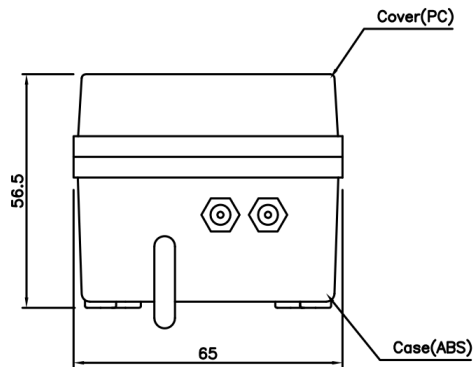
#### Physical

Proof Pressure	300%FS Max.
Burst Pressure	500%FS Min.
Vibration	49.1m/s <sup>2</sup> {5G}, 10~500Hz
Shock	490m/s <sup>2</sup> {50G}
Pressure Port	1/8" Nipple
Media-Wetted Materials	Brass(Ni plated), SiO <sub>2</sub> , Si Rubber
Weight	Approx. 150g

## Dimension



Wire Color	Connections
Red	Input ⊕
Shield	Earth
Blue	Output ⊕



## Ordering Information

**DPDH 0750 A**

Model Name

Pressure Unit

Pressure Range

A : Pa  
 R : kPa  
 D : mmH<sub>2</sub>O  
 C : cmH<sub>2</sub>O  
 K : kgf/cm<sup>2</sup>  
 H : mmHg  
 B : bar  
 P : psi