

Model DPB/48*48공조용 디지털 차압계

48mm X 48mm Panel Mounting

Differential Low Pressure Gauge / Switch

Description

DPB model is ideal for the application (such as HVAC) with differential pressure, vacuum pressure, gauge pressure and especially low pressure of non-corrosive gases or air measured. Device for Low Pressure Gauge / Switch, which is using MICOM, improved Accuracy.

Features

- ▶ CE Certified
- ▶ 3-1/2 digit LED display
- ▶ 48mm X 48mm Panel Mounting Type
- ▶ Auto Zero
- ▶ 2Ch Relay or 2Ch NPN Open Collector Alarm output
- ▶ 1~5VDC or 4~20mA analog output (Adjustable Pressure Range)
- ▶ Measuring range 0~300..10kPa diff.
- ▶ 0.5~1.5%FS accuracy
- ▶ Piezoresistive silicon cell
- ▶ Use with non-corrosive, non-ionic media

Applications

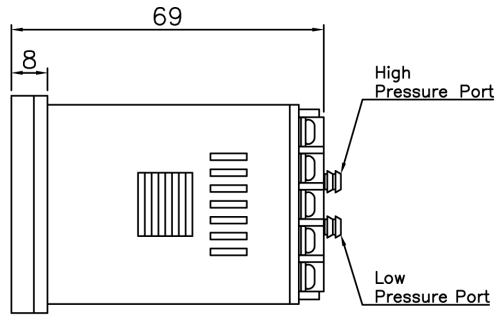
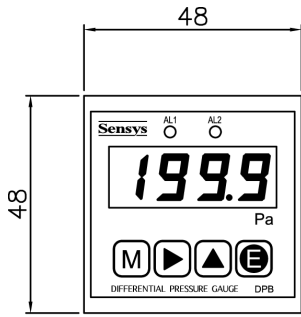
- ▶ Airflow Measurement
- ▶ Room Static Pressure
- ▶ VAV Box
- ▶ Lab/Fume Hood Control
- ▶ Clean Room Control

Specifications

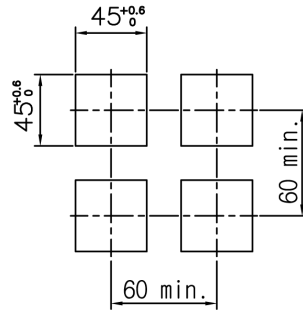
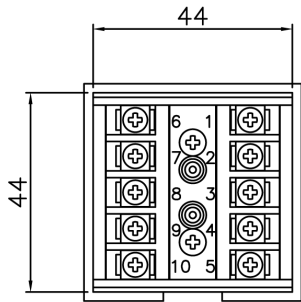
Range	0~300, 500, 750Pa 0~1, 2, 3, 5, 10kPa ±300, ±500, ±750Pa, ±1, ±2, ±3, ±5, ±10kPa
Performance	
Accuracy	±0.5%FS±1digit(≥1000Pa), ±1%FS±1digit(500, 750Pa), ±1.5%FS±1digit(300Pa)
Thermal Effect on Zero	±0.15%FS/°C(≥750Pa), ±0.2%FS/°C(500Pa), ±0.3%FS/°C(300Pa)
Thermal Effect on Span	±0.15%FS/°C(≥750Pa), ±0.2%FS/°C(500Pa), ±0.3%FS/°C(300Pa)
Compensated Temperature Range	0 ~ 50°C
Operating Temperature Range	-10 ~ 70°C
Electrical	
Display	3-1/2 Digit LED
Excitation	12~24VDC±10% (Relay Type : 18~24V)
Output	
Switching Signal	2 RELAY(5A 30VDC / 5A 250VAC) or NPN Open Collector TR(80mA, 24VDC)
Analog Signal	1~5VDC or 0~10VDC or 4~20mA (Adjustable Pressure Range)
Electrical Connection	Terminal
Physical	
Proof Pressure	300%FS Max.
Burst Pressure	500%FS Min.
Pressure Port	1/8" Nipple
Media-Wetted Materials	Brass(Ni plated), SiO ₂ , Si Rubber



Dimension



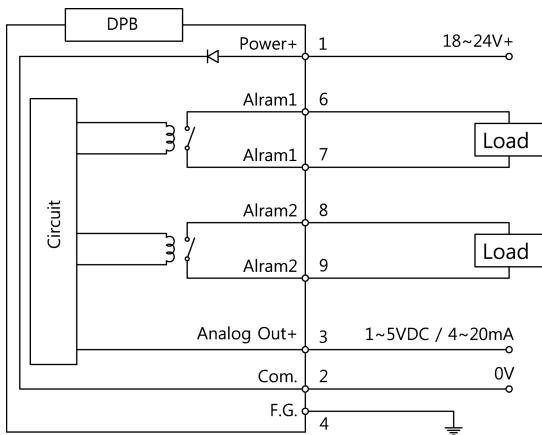
Pin No.	Connections			
1	Power+			
2	Com.			
3	Analog output+			
4	F.G.			
5	N.C.			
6	Relay Output	Alarm1	NPN TR Output	Alarm1
7		Alarm1		Com.
8		Alarm2		Alarm2
9		Alarm2		Com.
10	N.C.			



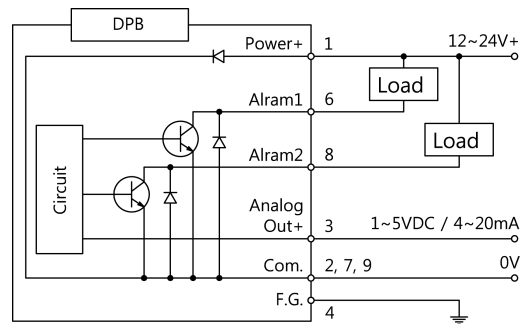
* PANEL Thickness : 1~10mm

Circuit Diagram

▶ Relay Output

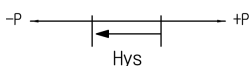
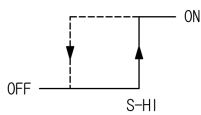


▶ NPN Open Collector Tr. Output

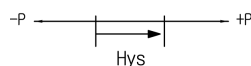
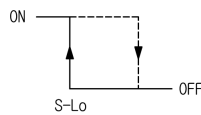


Alarm Mode

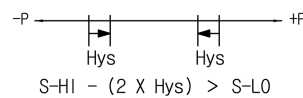
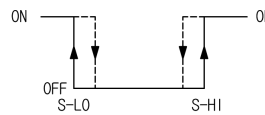
▶ Hi Mode



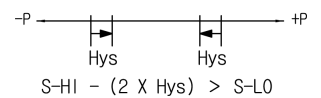
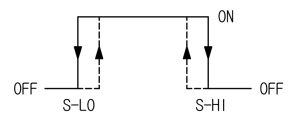
▶ Low Mode



▶ A Mode



▶ B Mode



Ordering Information

DPB D 0500 A

Model Name

Output

- D : 1~5V, Relay
- E : 1~5V, NPN TR
- K : 0~10V, Relay
- J : 0~10V, NPN TR
- F : 4~20mA, Relay
- G : 4~20mA, NPN TR

Pressure Unit

- A : Pa
- R : kPa
- D : mmH₂O

Pressure Range

- XXXX : 0~Range
- CXXX : ±Range